



# COLOR NET-RECORDER

SYN-200CR/400CR

## For Trawl Net

Essential equipment for fishing with trawl net

- Adopts 10.4" color TFT LCD with the brightness of 350 calender.
- Built-in high speed CPU that ensures more efficient usages and multi-function.
- Offers color graphic screen which gives clear view of fishing trawl net and a school of fish.
- Makes it possible to display on screen and work for printing at the same time.

**NEW  
PRODUCT**



SAMYUNG ENC Co.,Ltd.

# COLOR NET-RECORDER

MODEL : SYN-200CR/400CR

A color net-recorder, SYN-200CR/400CR type, is upgraded one from the last simple record paper type net-recorder. SYN-200CR/400CR adopted 14" color TFT LCD screen giving clear view of net position, a school of fish and sea temperature that ensures the increase of fishing yields and the prevention of losing and damaging on trawl net.

Especially this color net-recorder is all the more efficiently helping out the fishing work at the area of rock bottom sea.

## FEATURES

- ▶ Adopted 10.4" of color TFT LCD to ensure clear and wide screen.
- ▶ Excellence of ability to distinguish a school of fish and fishing net.
- ▶ Screen display and print-out simultaneously.
- ▶ Display both whole record and partial record for 200M and 400M.
- ▶ Display sea temperature in both graphic line and number on the screen that easily distinguish temperature difference.
- ▶ Stored the previous 20 record in the main unit's memory.
- ▶ Process the synchronized signal from transmitter with high speed CPU which keeps on stable synchronization.
- ▶ Receiving frequency and synchronized processing method are of standard type which is compatible with the transmitter of the last product.

## SPECIFICATIONS

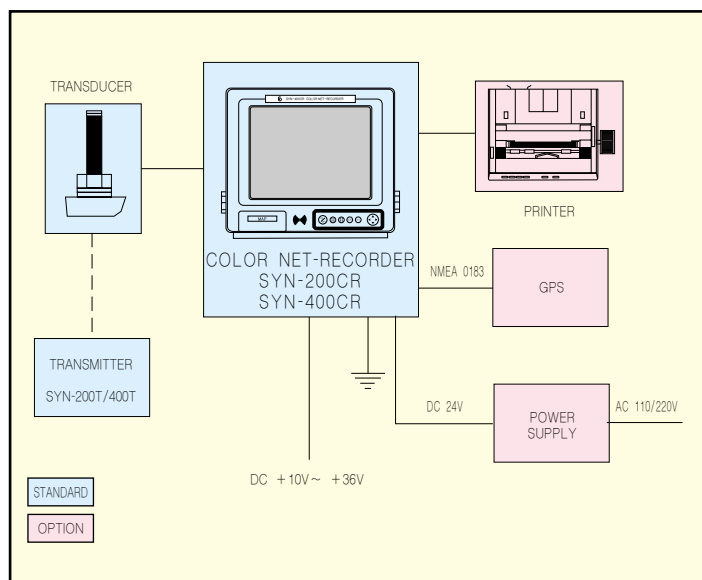
### RECORD PAPER

- Recording range : SYN-200CR : 0~10, 0~20, 0~50, 0~100, 0~200 (UP/DOWN) SYN-400CR : 0~10, 0~20, 0~50, 0~100, 0~200, 0~400
- Sea temperature recording range : -3°C ~ +24°C
- Receiving frequency method : 50KHz super sonic FM
- Record display method : Screen display, Print-out
- Screen display : 10.4" TFT Color LCD
- Screen speed : 1~9 steps
- Printing speed : 1~9 steps
- Printing paper : roll type
- Power supply : +10V ~ +36V

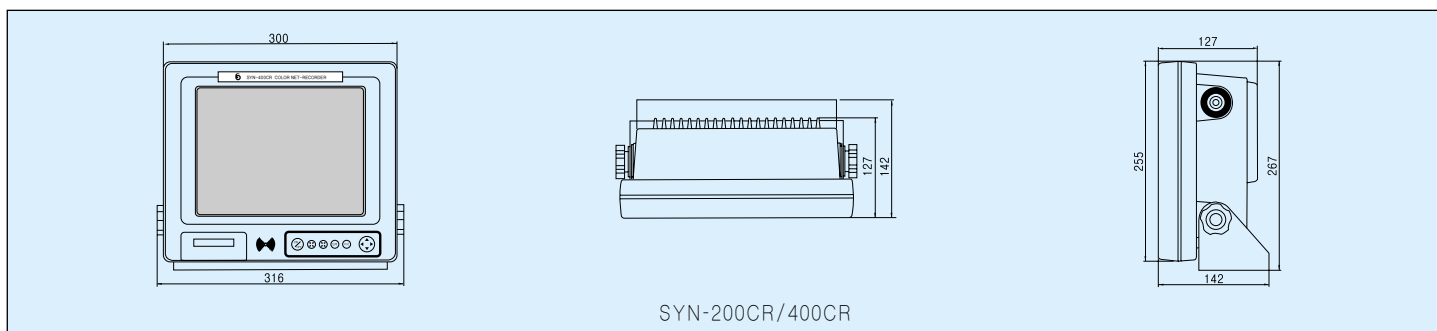
### TRANSMITTER

- Max/Min frequency of transmitter : 180KHz(SYN-200CR)  
75KHz(SYN-400CR)
- Signal discharge frequency : 50KHz supersonic wave FS modulation
- Effective distance : 2000m
- Power supply of station : 12V(alkaline battery A-1 × 8)
- Power consumption : 250mA ~ 300mA

## CONFIGURATION



## DIMENSIONS



**SAMYUNG ENC Co.,Ltd.**

Head Office : 1123-17, Dongsam-Dong, Youngdo-Gu, Busan, Korea, 606-083

Tel : 82-51-601-6666(Rep.) Fax : 82-51-412-6616

Marketing & Service : 65-20, 2-Ga Namhang-Dong, Yungdo-Gu, Busan, Korea, 606-032

Tel : 82-51-601-5530(Rep.) Fax : 82-51-413-4446

Http : //www.samyungenc.com



ISO 9002 / KS A 9002  
Certificate No. : QSC92073

