




SGP-330

P.P.U

(Plotter Processing Unit)

Chart plotter with various monitors in option !!

Built-In Worldwide Precision Electronic Chart

 **NAVIONICS®** Optionally Available !!



◆ **PPU (Plotter Processing Unit)**

-Separating Display Unit from its Processing Unit, users can choose their preferences for various sizes of Display Unit.

◆ **All PC monitors compatible**

-Available to use all types of LCD & CRT monitors that support the RGB input.
-Available to use 2 monitors with the common monitor-distributor if necessary.

◆ **2 Types of Chart Systems**

-Data provided by the latest built-in digital electronic charts/NAVIONICS® GOLD

◆ **Quick & Easy Operation**

-High speed CPU engine enables users to work on quick & secure data process.
-The maps stay unchanged in the display change of Zoom-In/Out.

◆ **Multi languages**

-Korean, English, Simplified/Traditional Chinese, Russian and Greek etc Selectable.

◆ **SD Card (Secure Digital)**

-Available to use SD Card for user's data backup and program update.

◆ **Remote Control**

-Wire/wireless remote control, backlight remote control mode, waterproof

◆ **External Remote Sensor (Option)**

-Easy to install
-Available to remote-control at any user's wishful locations.



P.P.U

(Plotter Processing Unit)

MODEL : SGP-330

SPECIFICATION

GENERAL(Main Unit)

- RGB Signal : All CRT/LCD monitor supported by RGB input
Also available to use two monitors with monitor distributor
- Display : 640 × 480 pixels 256 color
- Power Supply : DC8V ~ 36V
- Power Consumption : below 5W
- Temperature/Humidity : -15°C ~ +50°C / 95%(+30°C ~ +60°C)
- Signal Correction and Tracking : Automation using microcomputer tracking
- Position Precision and Tracking : 15m RMS, PDOP ≤ 3.0(without SA)
- Speed Precision : 0.1 Knots RMS, PDOP ≤ 3.0(without SA)
- Data Recovery Time : 1 Sec.
- Initial Measuring Time : 24 Sec.
- Date Renewal Interval : 1 Sec.

GPS RECEIVER

- Receiving Frequency : L1 1575.42 ± 1MHz (C/A code)
- Receiving Type : 18 Channels Multi Tracking Type
- Receiving Channel : 18 Channels
- Receiving Sensitivity : Less than -130dBm

PLOTTER

- Projection : Mercator drawing
- Display Scale : 0.2 mile ~ 5,000 mile(1/2,500 ~ 1/37,500,000)
- Effective Display Range : below 85° of latitude
- Display Mode : true-motion, course-up, north-up, head-up function
- Tracking Memory Interval : 1sec~60minute(0.01~9,99NM) set-up
- Tracking capacity : 20,000 points

- Event mark : 21 kinds
- Mark capacity : 10,000 points
- capacity for user's drawing of shoreline : 8,000points
- 16 land coloring capacity for user's marking of shoreline : 1,000points
- capacity for user's character of shoreline : 1,000points
- capacity for tracking marking : 1,000points
- capacity for memory of destination : 1,000points
- capacity for memory of route : 20 routes (20 points/1 route)
- Alarm : 1)arriving alarm 2)off-course alarm 3)anchor alarm 4)boundary alarm
- Interface : SAMYUNG, NMEA0183, FURUNO(CIF), JRC

COMPONENT

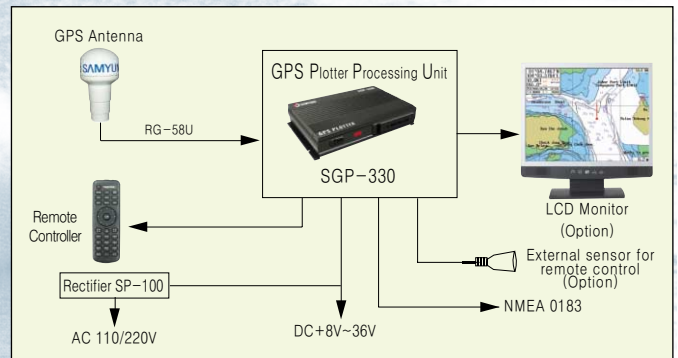
STANDARD

- Main Unit(SGP-330)
- GPS Antenna(SAN-60)
- Remote controller(REM-330)
- Installation materials, spare parts, manual

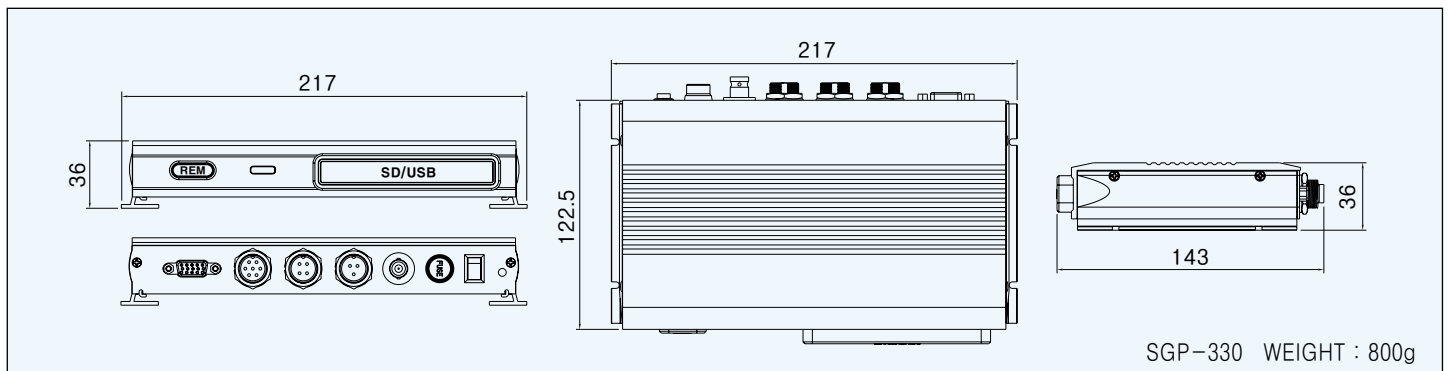
OPTION

- External sensor for remote control
- Rectifier(SP-100)
- LCD Monitor

CONFIGURATION



DEMENSIONS



* Specification is subject to change without pre-notice



Head Office : 1123-17, Dongsam-Dong, Youngdo-Gu, Busan, Korea, 606-083
 Tel : 82-51-601-5530(Rep.) Fax : 82-51-413-4446
A/S Center : 65-20, 2-Ga Namhang-Dong, Yungdo-Gu, Busan, Korea, 606-032
 Tel : 82-51-601-5570~4(Rep.) Fax : 82-51-416-5515
 Http : //www.samyungenc.com



ISO 9001:2000 / KS A 9001:2001
 Certificate No. : RQM0645

