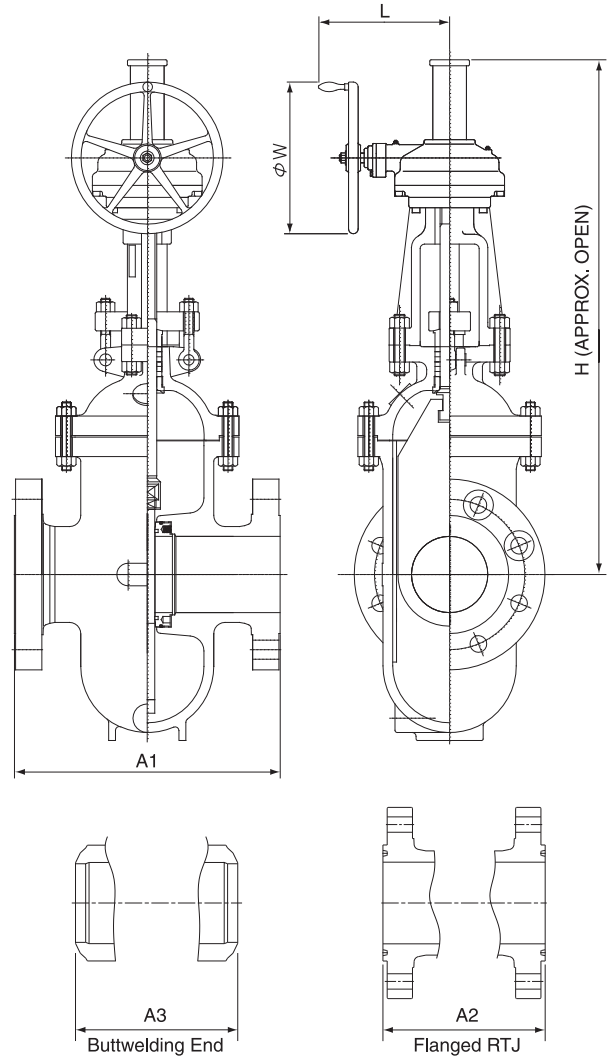
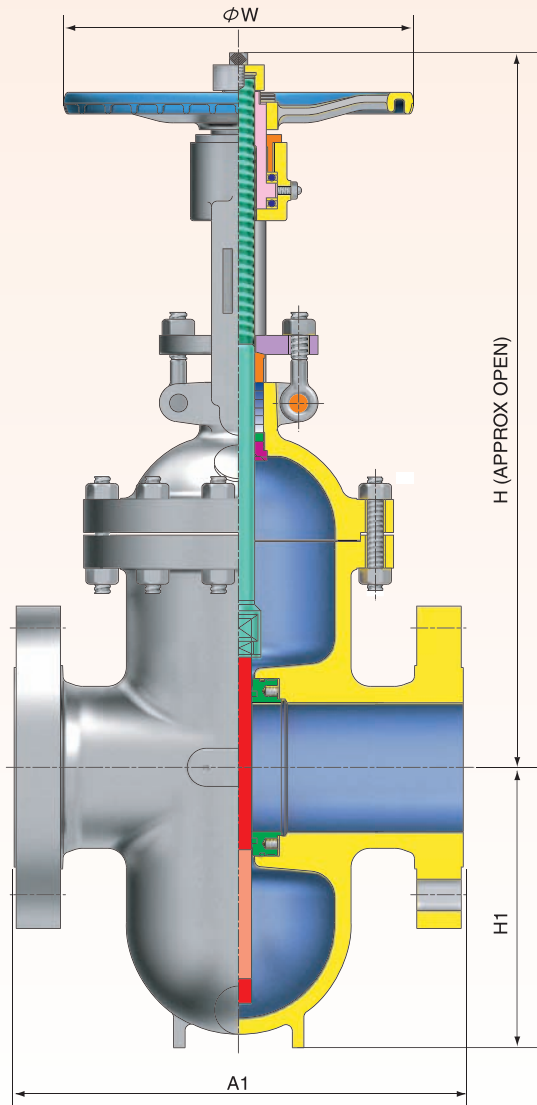


THROUGH CONDUIT GATE VALVES

BOLTED BONNET

TC CLASS 600



VALVE SIZE	in	4	6	8	10	12	14	16	18	20	24	
	mm	100	150	200	250	300	350	400	450	500	600	
A1 & A3	in	17.0	22.0	26.0	31.0	33.0	35.0	39.0	43.0	47.0	55.0	
	mm	432	556	660	787	838	889	991	1092	1194	1397	
A2	in	17.12	22.12	26.12	31.12	33.12	35.12	39.12	43.12	47.25	55.38	
	mm	435	562	664	791	841	892	994	1095	1200	1406	
H	in	29.9	44.1	57.1	64.2	76.4	87.4	92.1	102.0	113.8	133.5	
	mm	760	1120	1450	1630	1940	2220	2340	2590	2890	3390	
H1	in	8.5	11.9	15.3	18.8	22.4	24.4	28.2	31.5	35.0	41.9	
	mm	215	302	388	478	570	619	716	801	890	1065	
H2	in	-	-	-	-	-	52.0	55.5	61.0	68.3	79.5	
	mm	-	-	-	-	-	1320	1410	1550	1735	2020	
W	in	14.0	19.7	23.6	27.0	30.0	18.1	24.0	29.9	29.9	29.9	
	mm	355	500	600	685	760	460	610	760	760	760	
WEIGHT	RF	lb	286.7	529.2	904.1	1455.3	2205.0	3087.0	4299.8	5711.0	7254.5	10804.5
		kg	130	240	410	660	1000	1400	1950	2590	3290	4900
	BW	lb	247.0	458.6	804.8	1274.5	1985.5	2787.1	3819.1	5230.3	6725.3	10244.4
		kg	112	208	365	578	900	1264	1732	2372	3050	4646