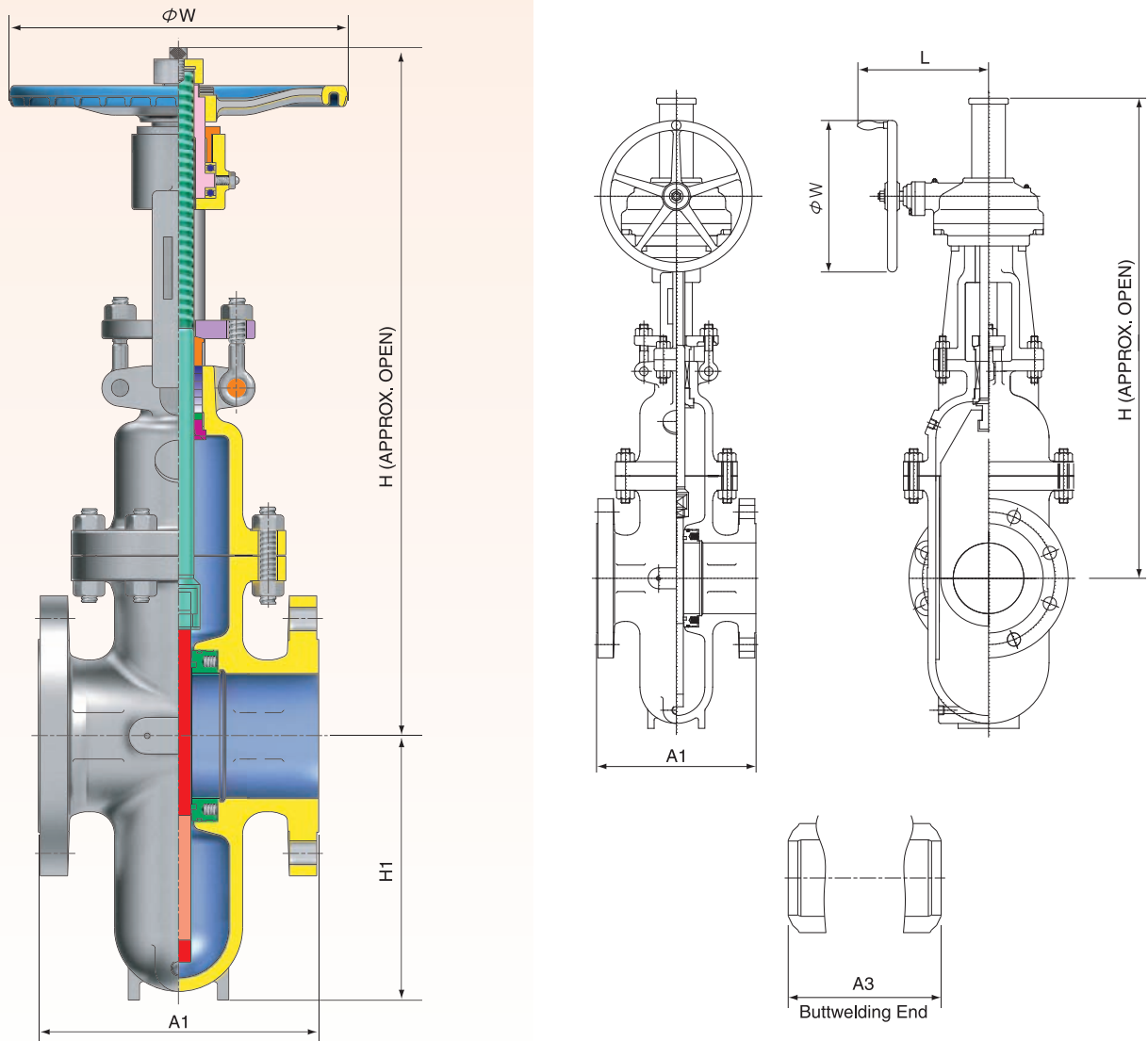


THROUGH CONDUIT GATE VALVES

BOLTED BONNET

TC CLASS 150



VALVE SIZE	in	4	6	8	10	12	14	16	18	20	24	
	mm	100	150	200	250	300	350	400	450	500	600	
A1	in	9.0	10.5	11.5	13.0	14.0	15.0	16.0	17.0	18.0	20.0	
	mm	229	267	292	330	356	381	406	432	457	508	
A3	in	12.0	15.88	16.5	18.0	19.75	22.5	24.0	26.0	28.0	32.0	
	mm	305	403	419	457	502	572	610	660	711	813	
H	in	29.9	44.1	57.1	64.2	76.4	84.6	89.4	99.2	109.8	131.9	
	mm	760	1120	1450	1630	1940	2150	2270	2520	2790	3350	
H1	in	8.5	11.9	15.2	18.6	22.1	24.1	27.8	31.0	34.4	41.1	
	mm	215	302	385	473	562	611	705	787	873	1043	
H2	in	-	-	-	-	-	50.4	53.9	59.4	65.4	78.3	
	mm	-	-	-	-	-	1280	1370	1510	1660	1990	
W	in	9.8	11.8	15.7	15.7	19.7	18.1	18.1	18.1	18.1	24.0	
	mm	250	300	400	400	500	460	460	460	460	610	
WEIGHT	RF	lb	242.6	396.9	573.3	837.9	1146.6	1433.3	2094.8	2668.1	3175.2	4961.3
		kg	110	180	260	380	520	650	950	1210	1440	2250
	BW	lb	231.5	377.1	533.6	787.2	1065.0	1382.5	1913.9	2266.7	2985.6	4350.5
		kg	105	171	242	357	483	627	868	1028	1354	1973