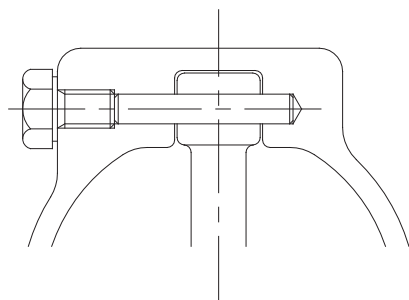


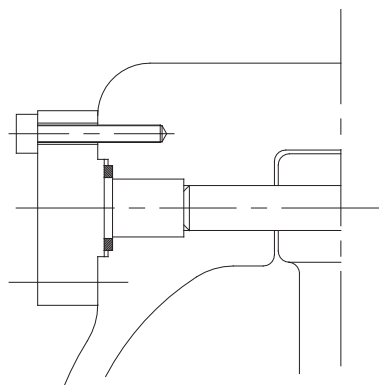
SWING CHECK VALVES

BOLTED COVER

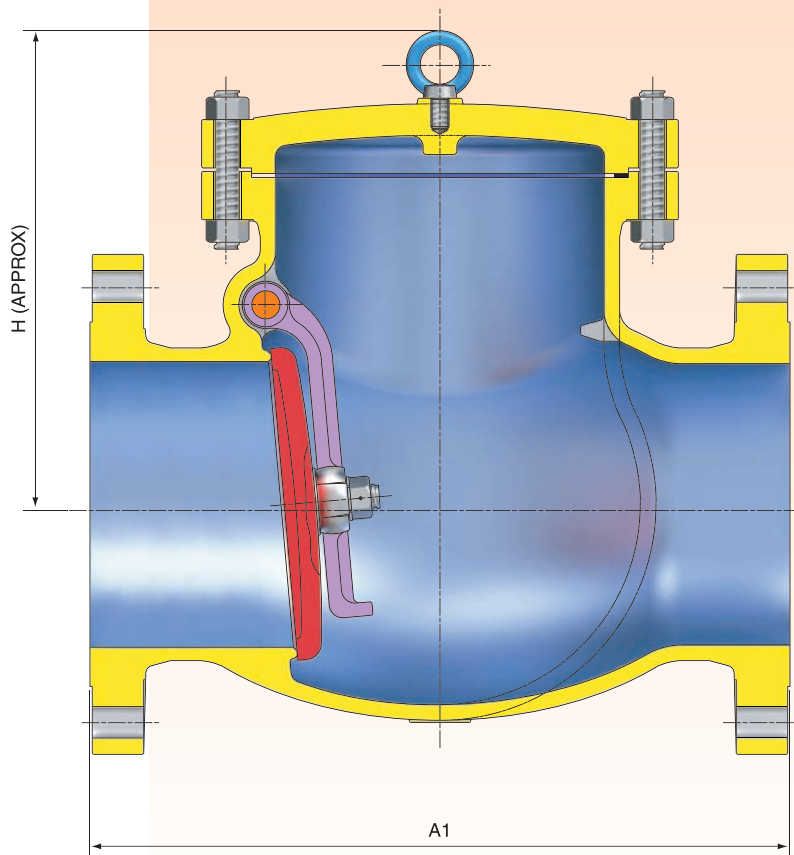
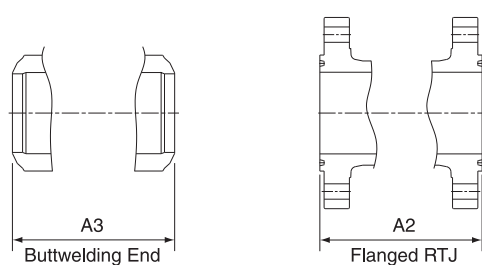
SW/CH CLASS 300



14" Thru 16"



18" & Larger



VALVE SIZE	in	2	2.5	3	4	6	8	10	12	14	16	18	20	24	28	30	36	
	mm	50	65	80	100	150	200	250	300	350	400	450	500	600	700	750	900	
A1 & A3	in	10.5	11.5	12.5	14.0	17.5	21.0	24.5	28.0	33.0	34.0	38.5	40.0	53.0	59.0	62.8	82.0	
	mm	267	292	318	356	444	533	622	711	838	864	978	1016	1346	1499	1594	2083	
A2	in	11.1	12.1	13.1	14.6	18.1	21.6	25.1	28.6	33.6	34.6	39.1	40.7	53.9	60.0	63.7	83.1	
	mm	283	308	333	371	460	549	638	727	854	880	994	1035	1368	1524	1619	2111	
H	in	6.4	7.1	7.8	8.7	13.1	15.0	18.8	21.1	22.8	27.4	31.4	30.5	40.4	45.2	50.0	46.1	
	mm	163	180	197	220	332	380	477	535	580	695	797	775	1025	1149	1270	1171	
WEIGHT	RF	lb	52.9	81.6	99.2	149.9	302.0	485.0	595.2	1091.3	1499.1	2094.4	2645.5	3306.9	4850.1	6172.9	7495.6	11022.9
		kg	24	37	45	68	137	220	270	495	680	950	1200	1500	2200	2800	3400	5000
	BW	lb	46.3	66.1	77.2	112.4	242.5	401.2	463.0	925.9	1157.4	1763.7	2202.4	2689.6	4060.9	5291.0	6503.5	9063.1
		kg	21	30	35	51	110	182	210	420	525	800	999	1220	1842	2400	2950	4111