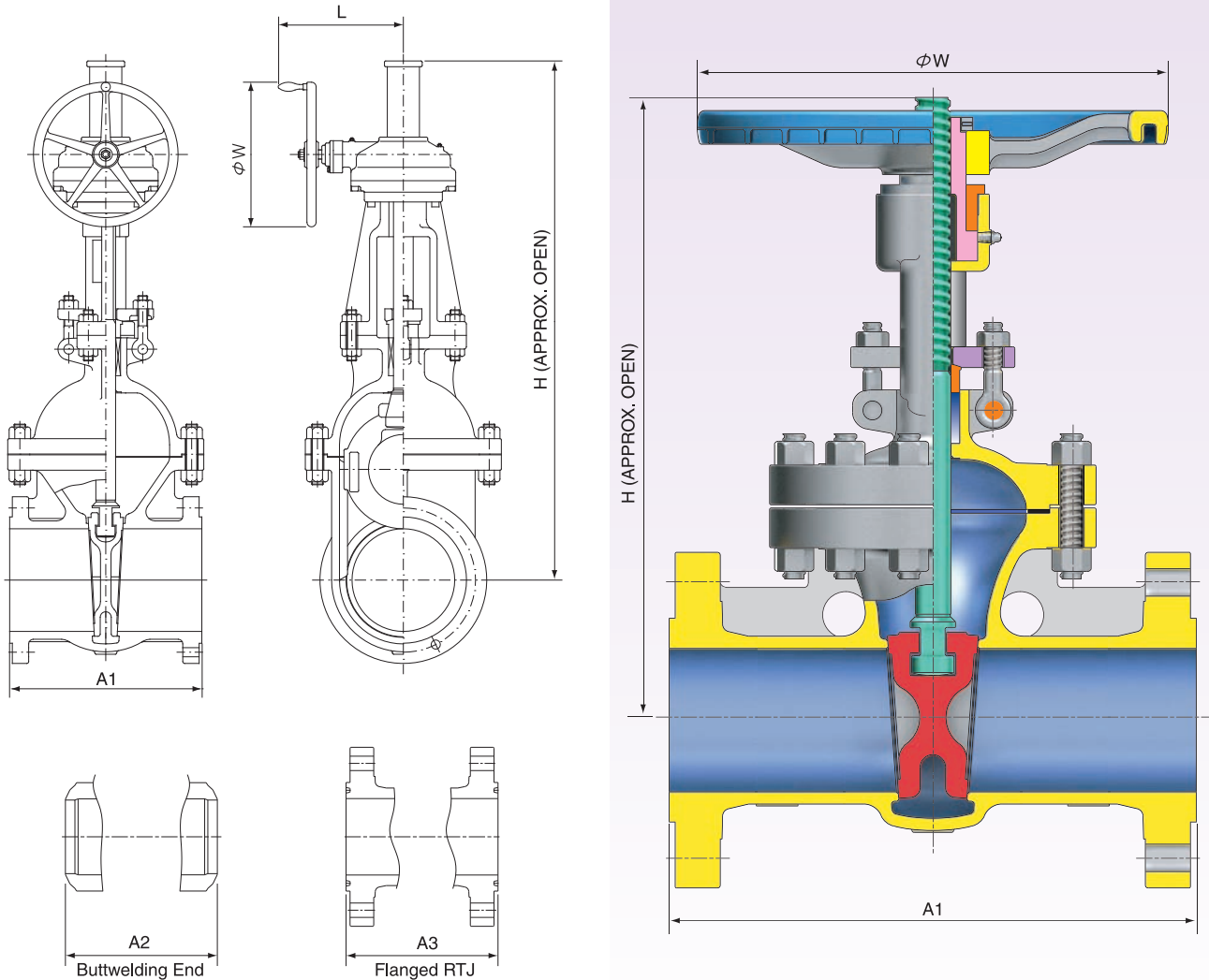


GATE VALVES

BOLTED BONNET

GT CLASS 300



VALVE SIZE	in	2	2.5	3	4	6	8	10	12	14	16	18	20	24	28	30	36	
	mm	50	65	80	100	150	200	250	300	350	400	450	500	600	700	750	900	
A1 & A2	in	8.5	9.5	11.1	12.0	15.9	16.5	18.0	19.8	30.0	33.0	36.0	39.0	45.0	53.0	55.0	68.0	
	mm	216	241	283	305	403	419	457	502	762	838	914	991	1143	1346	1397	1727	
A3	in	9.1	10.1	11.7	12.6	16.5	17.1	18.6	20.4	30.6	33.6	36.6	39.8	45.9	54.0	56.0	69.1	
	mm	232	257	298	321	419	435	473	518	778	854	930	1010	1165	1372	1422	1756	
H	in	14.6	16.9	18.3	21.4	29.7	38.6	47.0	54.1	64.2	72.4	84.1	91.5	110.8	129.3	145.1	168.6	
	mm	370	430	465	544	755	980	1193	1375	1630	1840	2135	2325	2815	3285	3685	4283	
W	in	7.9	7.9	8.8	9.8	14.0	15.7	17.7	19.7	19.7	24.8	24.8	28.0	28.0	31.5	35.4	39.4	
	mm	200	200	224	250	355	400	450	500	500	630	630	710	710	800	900	1000	
L	in	-	-	-	-	-	-	-	-	13.5	15.3	15.3	16.0	16.0	18.1	19.1	20.8	
	mm	-	-	-	-	-	-	-	-	342	389	389	406	406	461	486	529	
WEIGHT	RF	lb	52.9	72.8	88.2	130.1	242.5	377.0	564.4	934.8	1192.7	2039.3	2672.0	3216.5	5037.6	7550.8	8124.0	11827.8
		kg	24	33	40	59	110	171	256	424	541	925	1212	1459	2285	3425	3685	5365
	BW	lb	39.7	55.1	61.7	83.8	176.4	275.6	414.5	723.1	994.3	1704.2	2253.1	2733.7	4054.3	6583.0	6863.0	9931.8
		kg	18	25	28	38	80	125	188	328	451	773	1022	1240	1839	2986	3113	4505