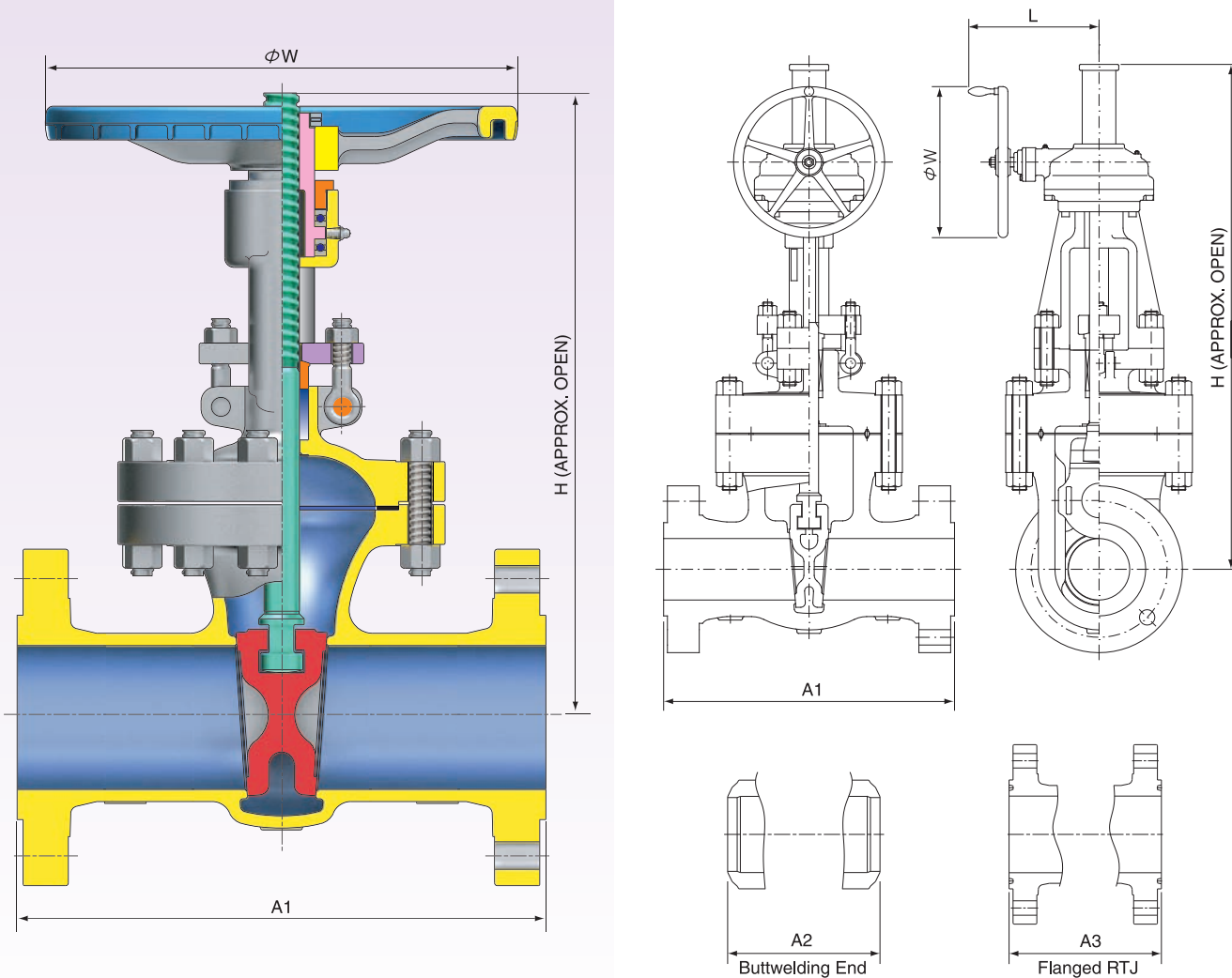


GATE VALVES

BOLTED BONNET

GT CLASS 600



VALVE SIZE	in	2	2.5	3	4	6	8	10	12	14	16	18	20	24	
	mm	50	65	80	100	150	200	250	300	350	400	450	500	600	
A1 & A2	in	11.5	13.0	14.0	17.0	22.0	26.0	31.0	33.0	35.0	39.0	43.0	47.0	55.0	
	mm	292	330	356	432	559	660	787	838	889	991	1092	1194	1397	
A3	in	11.6	13.1	14.1	17.1	22.1	26.1	31.1	33.1	35.1	39.1	43.1	47.2	55.4	
	mm	295	333	359	435	562	664	791	841	892	994	1095	1200	1406	
H	in	14.8	17.2	18.7	23.2	32.1	40.2	49.0	61.7	69.5	77.8	84.8	100.2	104.6	
	mm	375	436	475	590	816	1020	1245	1566	1765	1975	2155	2545	2658	
W	in	7.9	8.8	9.8	11.8	17.7	19.7	24.8	24.8	24.8	28.0	31.5	31.5	35.4	
	mm	200	224	250	300	450	500	630	630	630	710	800	800	900	
L	in	-	-	-	-	-	-	-	15.3	15.3	16.0	18.1	18.1	19.1	
	mm	-	-	-	-	-	-	-	389	389	406	461	461	486	
WEIGHT	RF	lb	70.5	99.2	134.5	260.1	498.2	844.4	1318.4	1907.0	2502.2	2921.1	4299.0	5915.0	7447.2
		kg	32	45	61	118	226	383	598	865	1135	1325	1950	2683	3378
	BW	lb	59.5	75.0	112.4	202.8	390.2	652.6	1036.2	1501.3	2125.3	2286.2	3648.6	5088.3	6265.5
		kg	27	34	51	92	177	296	470	681	964	1037	1655	2308	2842