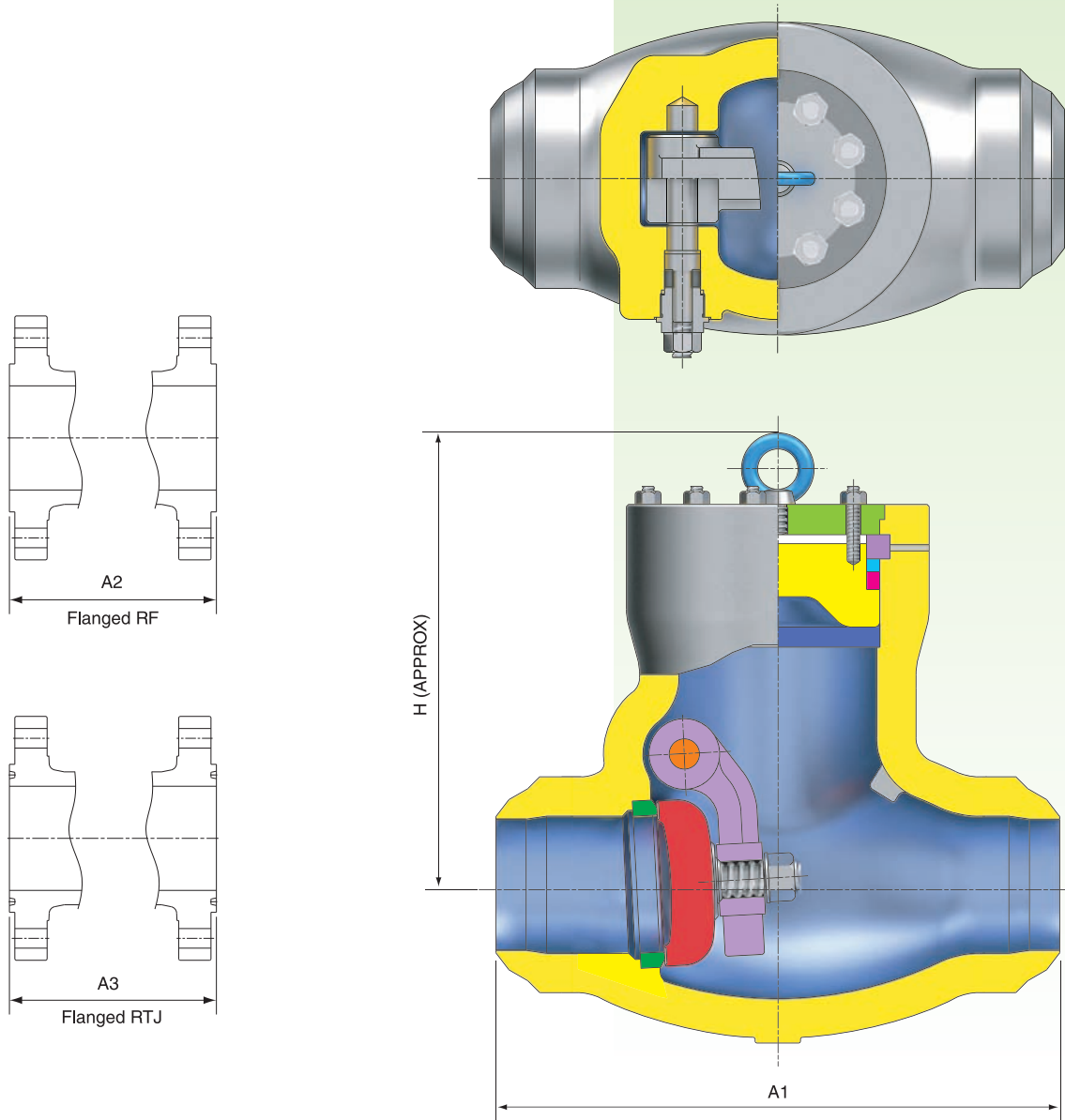


# SWING CHECK VALVES

PRESSURE SEAL COVER

## SW/CH CLASS 2500



VALVE SIZE	in	2	2.5	3	4	6	8	10	12	14	16	18	20	
	mm	50	65	80	100	150	200	250	300	350	400	450	500	500
A1	in	17.8	20.0	22.8	18.0	24.0	30.0	36.0	41.0	44.0	49.0	55.0	55.0	
	mm	451	508	578	457	610	762	914	1041	1118	1245	1397	1397	
A2	in	17.8	20.0	22.8	26.5	36.0	40.2	50.0	56.0	62.0	68.0	-	-	
	mm	451	508	578	673	914	1022	1270	1422	1575	1727	-	-	
A3	in	17.9	20.2	23.0	26.9	36.5	40.9	50.9	56.9	-	-	-	-	
	mm	454	514	584	683	927	1038	1292	1444	-	-	-	-	
H	in	11.4	11.4	15.1	15.5	22.4	24.4	29.7	27.5	33.9	42.4	39.4	54.3	
	mm	289	289	383	393	570	619	754	699	860	1076	1000	1378	
WEIGHT	RF	lb	187.4	260.1	341.7	628.3	1653.4	2976.2	4739.9	6613.8	9215.2	11155.2	16490.3	17636.7
		kg	85	118	155	285	750	1350	2150	3000	4180	5060	7480	8000
	BW	lb	110.2	154.3	187.4	363.8	1014.1	1984.1	2866.0	3968.3	5401.2	7054.7	8928.6	11023.0
		kg	50	70	85	165	460	900	1300	1800	2450	3200	4050	5000