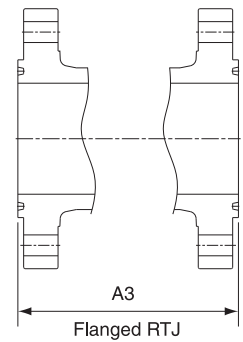
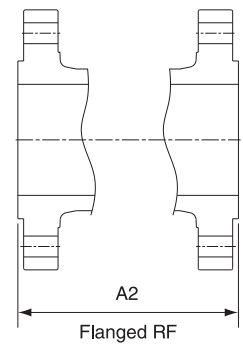
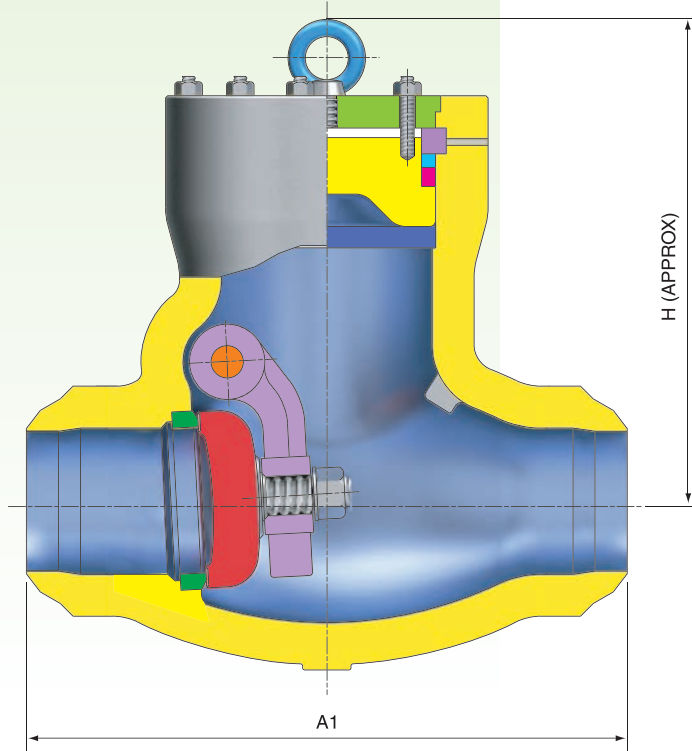
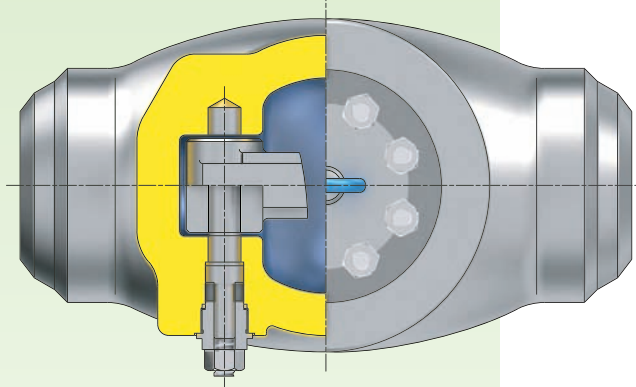


SWING CHECK VALVES

PRESSURE SEAL COVER

SW/CH CLASS 1500



VALVE SIZE	in	2	2.5	3	4	6	8	10	12	14	16	18	20	24	
	mm	50	65	80	100	150	200	250	300	350	400	450	500	600	
A1	in	14.5	16.5	18.5	16.0	22.0	28.0	34.0	39.0	42.0	47.0	53.0	58.0	64.0	
	mm	368	419	470	406	559	711	864	991	1067	1194	1346	1473	1626	
A2	in	14.5	16.5	18.5	21.5	27.8	32.8	39.0	44.5	49.5	54.4	60.5	65.5	76.5	
	mm	368	419	470	546	705	832	991	1130	1257	1383	1537	1664	1943	
A3	in	14.6	16.6	18.6	21.6	28.0	33.1	39.4	45.1	50.2	55.3	61.4	66.4	77.6	
	mm	371	422	473	549	711	842	1001	1146	1276	1405	1559	1686	1972	
H	in	11.4	13.5	15.1	14.8	17.6	19.7	23.5	25.4	28.0	29.5	34.6	37.4	43.3	
	mm	289	343	383	376	448	500	598	645	711	749	880	949	1099	
WEIGHT	RF	lb	88.2	121.3	220.5	308.6	881.8	1344.8	2314.8	3417.1	4629.6	5731.9	7275.1	9259.3	13227.5
		kg	40	55	100	140	400	610	1050	1550	2100	2600	3300	4200	6000
	BW	lb	44.1	70.5	88.2	154.3	617.3	1058.2	1631.4	2425.0	3108.5	3527.3	4629.6	5731.9	7716.1
		kg	20	32	40	70	280	480	740	1100	1410	1600	2100	2600	3500