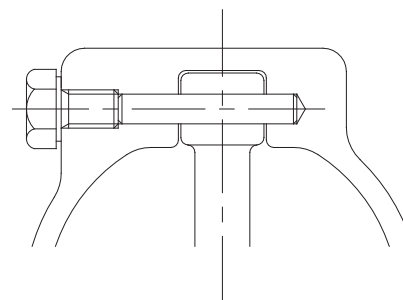
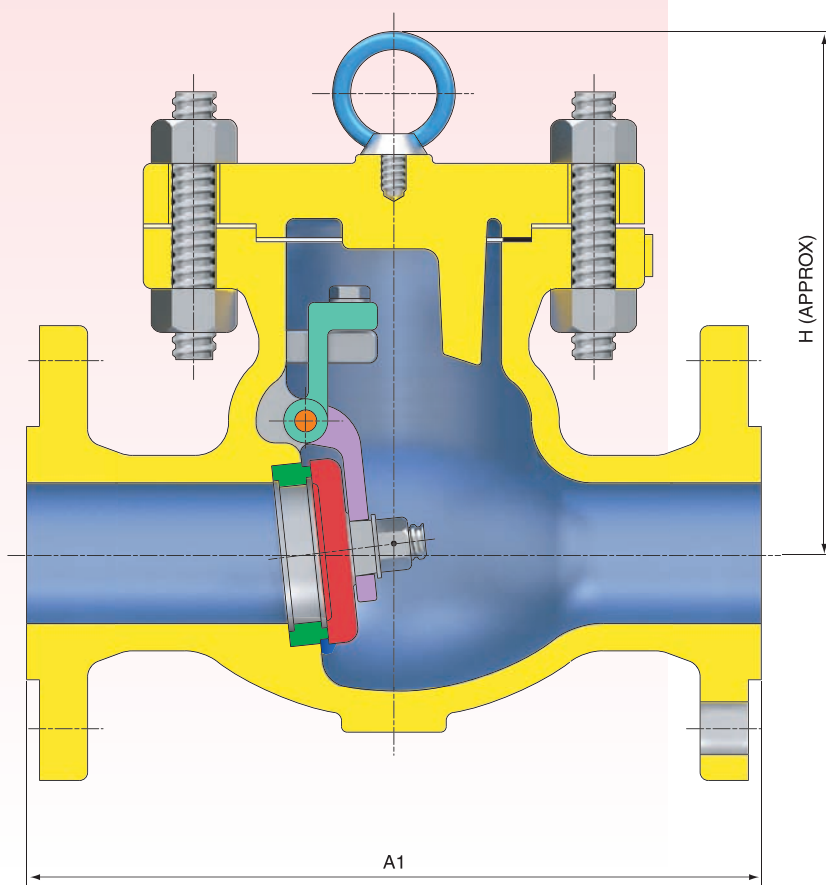


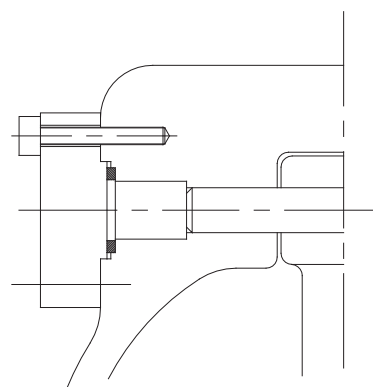
CRYOGENIC SW/CH VALVES

BOLTED COVER

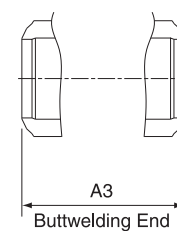
SW/CH CLASS 150



14" Thru 18"



20" & Larger



A3
Buttwelding End

VALVE SIZE	in	2	2.5	3	4	6	8	10	12	14	16	18	20	24	26	28	30	32	36	
	mm	50	65	80	100	150	200	250	300	350	400	450	500	600	650	700	750	800	900	
A1 & A3	in	8.0	8.5	9.5	11.5	14.0	19.5	24.5	27.5	31.0	34.0	38.5	38.5	51.0	51.0	57.0	60.0	60.0	77.0	
	mm	203	216	241	292	356	495	622	698	787	864	978	978	1295	1295	1448	1524	1524	1956	
H	in	5.8	6.4	6.9	8.0	11.4	13.8	16.9	19.6	23.9	25.6	30.7	25.5	31.5	33.5	40.0	35.0	37.0	53.1	
	mm	147	163	176	204	290	350	428	499	606	650	781	647	800	852	1017	888	941	1349	
WEIGHT	RF	lb	35.3	48.5	66.1	97.0	172.0	260.1	520.3	758.4	930.3	1397.7	1798.9	2164.9	3924.2	3637.6	3825.0	4647.3	5291.0	7385.4
		kg	16	22	30	44	78	118	236	344	422	634	816	982	1780	1650	1735	2108	2400	3350
	BW	lb	28.7	33.1	46.3	57.3	136.7	200.6	449.7	645.9	661.4	1276.5	1547.6	1878.3	3584.7	3306.9	3223.1	4426.8	4960.3	6944.5
		kg	13	15	21	26	62	91	204	293	300	579	702	852	1626	1500	1462	2008	2250	3150