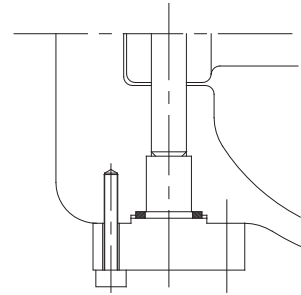
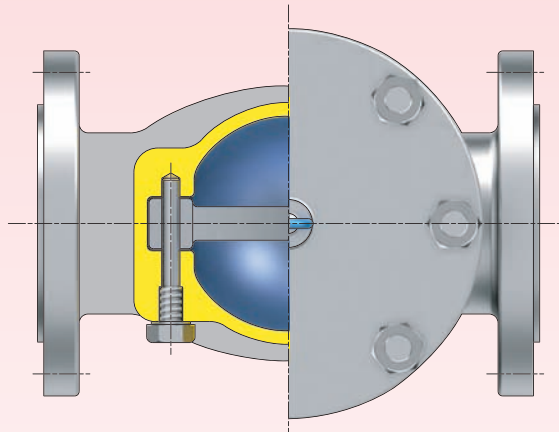


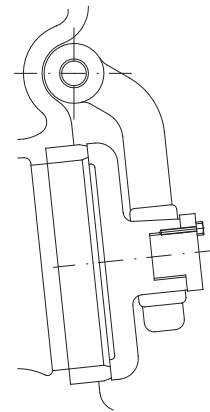
CRYOGENIC SW/CH VALVES

BOLTED COVER

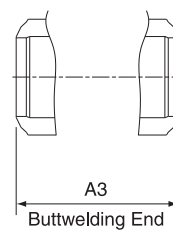
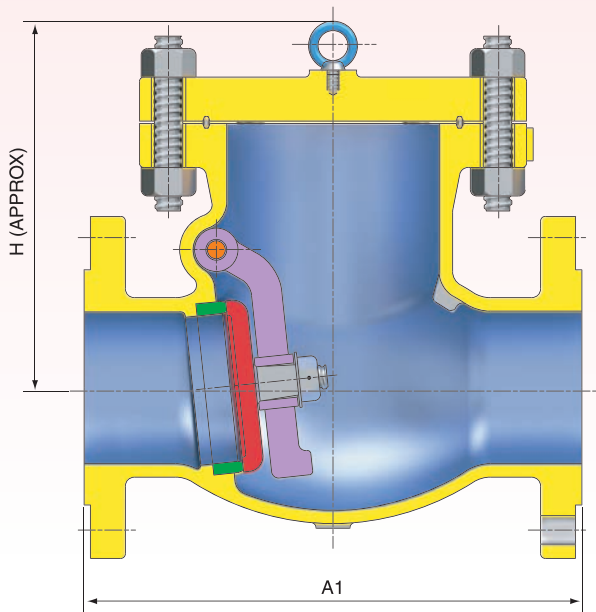
SW/CH CLASS 600



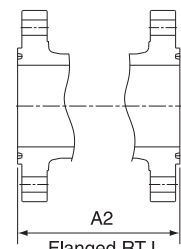
16" & Lager



18" & Lager



Buttwelding End



Flanged RTJ

VALVE SIZE	in	2	2.5	3	4	6	8	10	12	14	16	18	20	24	28	30	
	mm	50	65	80	100	150	200	250	300	350	400	450	500	600	700	750	
A1 & A3	in	11.5	13.0	14.0	17.0	22.0	26.0	31.0	33.0	35.0	39.0	43.0	47.0	55.0	63.0	65.0	
	mm	292	330	356	432	559	660	787	838	889	991	1092	1194	1397	1600	1651	
A2	in	11.6	13.1	14.1	17.1	22.1	26.1	31.1	33.1	35.1	39.1	43.1	47.2	55.4	63.5	65.5	
	mm	295	333	359	435	562	664	791	841	892	994	1095	1200	1407	1613	1664	
H	in	8.3	8.6	10.5	12.2	15.5	21.2	24.6	24.4	26.8	32.0	37.8	40.5	47.3	54.6	51.7	
	mm	210	219	267	310	393	538	625	620	680	812	960	1029	1202	1388	1313	
WEIGHT	RF	lb	88.2	121.3	158.7	253.5	551.1	925.9	1349.2	1785.7	1984.1	2971.8	4448.9	5264.6	7195.8	9038.8	11022.9
		kg	40	55	72	115	250	420	612	810	900	1348	2018	2388	3264	4100	5000
	BW	lb	83.8	99.2	138.9	176.4	451.9	762.8	1078.0	1472.7	1940.0	2464.7	3798.5	4437.8	6011.9	7716.1	9261.5
		kg	38	45	63	80	205	346	489	668	880	1118	1723	2013	2727	3500	4201