

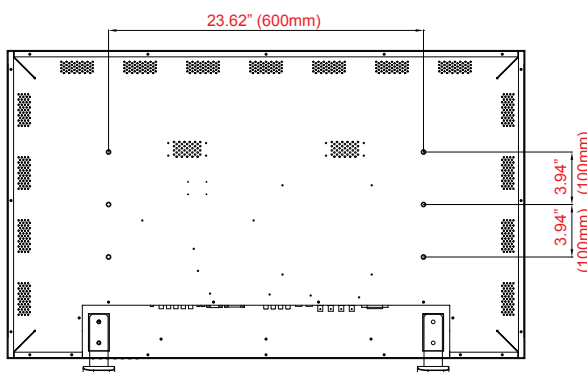
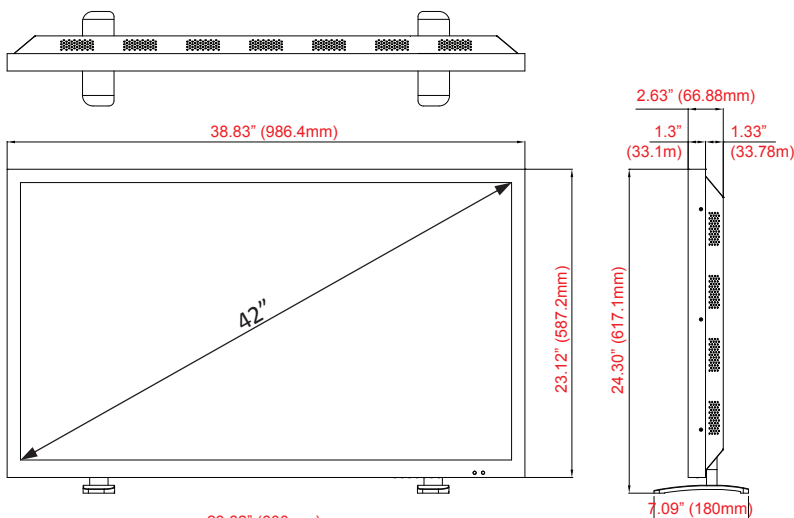


MODEL #	42RTHL
DISPLAY	
Screen Size	42"
Max. Resolution	1920 x 1080 @60Hz
Pixel Pitch	0.4845mm x 0.4845 mm
Brightness	350cd/m ² (Typical)
Contrast Ratio	3000:1
Aspect Ratio	16 : 9
Viewing Angle (H/V)	178°/178°
Display Color	16.7 Million
Response Time	<6.5ms
Video System	NTSC / PAL
Frequency (H)	31 ~ 80KHz
Frequency (V)	56 ~ 75Hz
INTERFACE	
AV(Composite) In/ Out	2 / 2
S-Video In / Out	1 / 1
RGB In(15Pin D-Sub)	1
Component(Y, Pb, Pr, Sound L/R) In	1
DVI-In	1
HDMI1, HDMI2 In	1 / 1
Trigger In	1
AV(Composite) Sound L/R (RCA Type)	2
PC Stereo In/Speak Out	1 / 1
AUDIO	
Built in speaker	2W x 2
SPECIAL FEATURES	
Multi Display Function	PIP / PBP / VOV
Filter Type	3D Comb filter / DeInterlace
LCD Protection Glass	Not Available
Trigger Sensor / Image Rotation	YES / YES
Video Resolution(Max)	600 TV Line
Camera Mounting Hole	Not Available
Multi-lingual Language	English, French, Deutsch, Italian, Spanish, Portuguese, Nederland
DIMENSIONS	
Outline Dimension (W x H x D)	38.83" x 24.30" x 7.09"
	(986.4mm x 617.1mm x 180mm)
Net Weight	46.30 lbs (21.4 kg)
MOUNT	
VESA	600mm x 100mm X 100mm
GENERAL	
Transmitter - IR Remote Control	YES
Power - Electrical Ratings	AC100 ~ 240V(50/60Hz)
- Consumption	67W
Warranty - Parts/ Labor	3 Year / 3 Year
- MTBF (Approx.)	50,000 Hours
Operating Temperature	32 - 104°F / 0 - 40°C
Regulations	TUV-NRTL (=UL), CB, FCC(A), CE-Emc(LVD)
Compatible Mounts - WALL	VZ-WM31, VZ-WM40, VZ-WM50
- CEILING	VZ-CMK07, VZ-CMK10
- Rack	Not Available

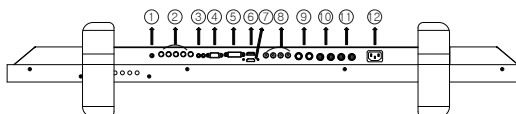
42RTHL

ADVANTAGES:

- 42" LED CCTV Monitor
- HD 1080p Resolution
- BNC, VGA, HDMI, DVI
- 3D Comb-filter, De-interlace, Built-in Speakers
- 3-Year Warranty
- Image Rotation Feature Prevents "Burn-In"



INTERFACE



1. TRIGGER IN
2. COMPONENT IN
3. PC STEREO IN/SPEAK OUT
4. VGA
5. DVI
6. HDMI1 IN
7. HDMI2 IN
8. AV(composite) SOUND L/R X2
9. S-VIDEO IN/OUT
10. AV(composite)2 IN/OUT
11. AV(composite)1 IN/OUT
12. AC 110V IN

Contact Point

- <http://www.orienttechnology.co.kr>
- 1242 Apo industrial zone, In-ri, Apo-up, Gimchun-shi, Kyungbuk, Korea
- TEL: +82-54-430-8902 / FAX: +82-54-430-8904