

## Incandescent Lighting Fixtures SYL Series

Wet Locations  
NEMA 3, 3R, 4, 7

❖ Type of Explosion-proof  
Increase Safety (Ex e II T1)

### ❖ Application

SYL Series lighting fixtures are used :

- in heavy process industries having environments where flammable or explosive vapors or gases, or where combustible dusts are present.
- in hazardous areas, both indoors and outdoors where long life and low maintenance costs are desired.
- in petroleum refineries, chemical, petrochemical and other heavy process industry facilities.
- where ignitable concentrations of flammable gases, vapors or liquids can exist all of the time or some of the time under normal operation conditions.



< SYL >

### ❖ Features

- The globe frame is cast in one piece with guard.
- The globe is sealed into the globe frame firmly with synthetic rubber gaskets, and the globe assembly is fitted to the body by three socket head captive screws.
- All joint of lamp housing, including the joint between the top body and the terminal plate, are sealed up with high quality gaskets so as to restrict breathing.

### ❖ Certification

- Certified by KOSHA (Korea Occupational Safety & Health Agency), KGS (Korea Gas Safety Corporation), and the others.

### ❖ Compliance

- NEMA 3 ,3R, 4, 7
- IEC 60079-0, 1
- IP55

### ❖ Standard Materials

- Enclosure : Aluminium sheet
- Globe : Heat resistant hard glass
- Globe Frame : Die casting aluminium
- Mounting Box : Cast aluminium alloy
- External Hardware : Stainless steel

### ❖ Standard Finish

- MUNSELL No. 7.5BG 6/1.5
- If you want another color, contact us please.

### ❖ Technical Data

Electrical Rating	
Rated Voltage	AC110V/ 220V/ 240V/ DC110V
Rated Wattage	100W/ 200W
Entry Size	1/2", 3/4", 1"

### ❖ Weight

Mounting Type	Catalog No.	Weight
Ceiling	SYL 2105	3.9 Kg

⇒ If you need more information, contact us please.

## ❖ Ordering Number

Lamp	Watt	Hub Size	Pendant	Ceiling	90° Bracket	40° Bracket	Certification
Incandescent Lamp	100	1/2"	SYL 1105	SYL 2105	SYL 3105	SYL 4105	Ex e II T1
		3/4"	SYL 1103	SYL 2103	SYL 3103	SYL 4103	
	200	1/2"	SYL 1205	SYL 2205	SYL 3205	SYL 4205	
		3/4"	SYL 1203	SYL 2203	SYL 3203	SYL 4203	

## ❖ Ordering Information

<b>SYL</b>	<b>1</b>	<b>10</b>	<b>5</b>
①	②	③	④

① SYL Lighting Fixture

② Mounting Type

- 1 - Pendant
- 2 - Ceiling
- 3 - 90° Bracket
- 4 - 40° Bracket

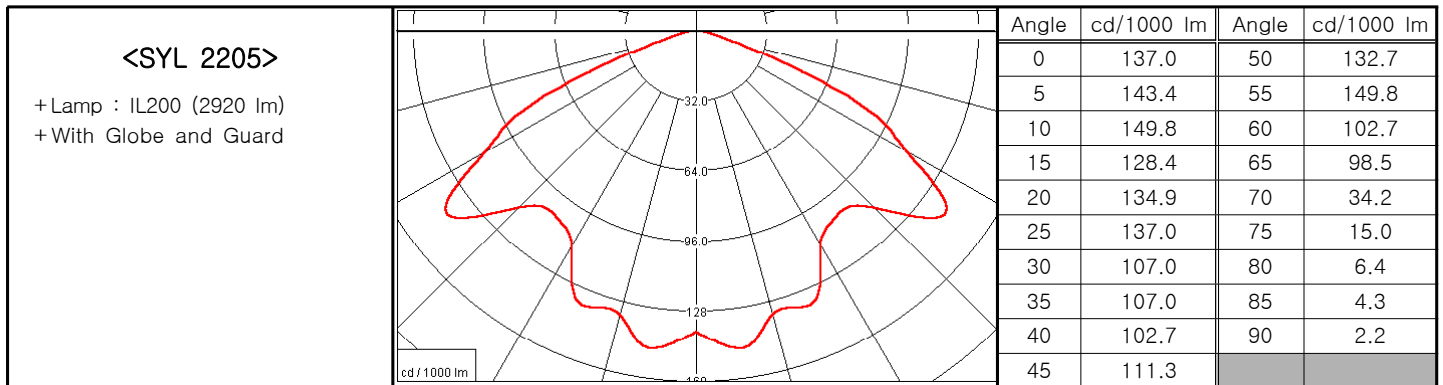
③ Lamp Wattage (W)

- 10 - 100
- 20 - 200

④ Entry Size

- 1 - 1"
- 3 - 3/4"
- 5 - 1/2"

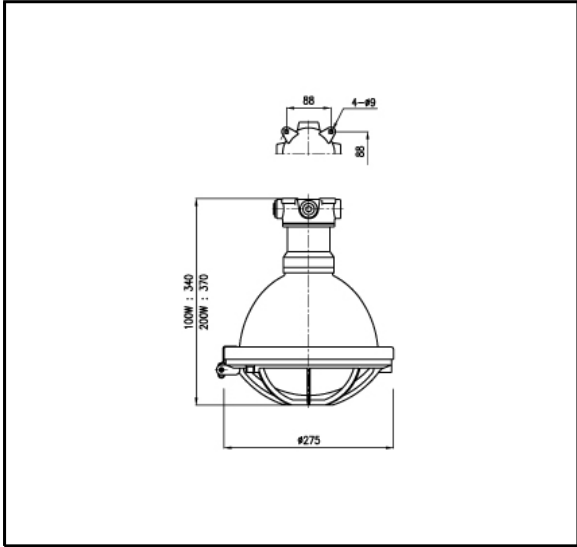
## ❖ Photometric Data



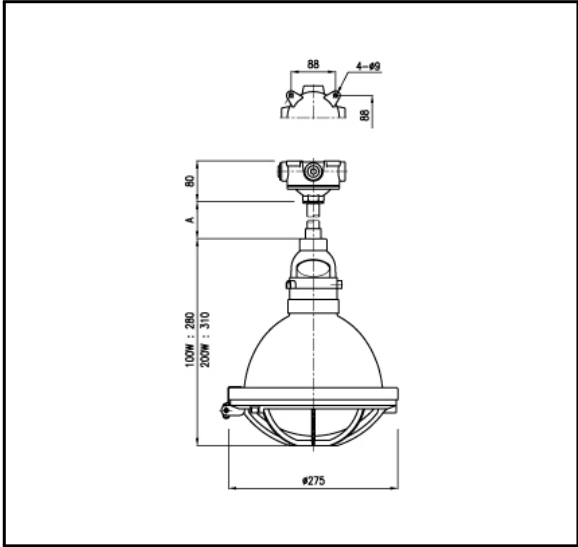
### Coefficients of Utilization – Zonal Cavity

%Effective Ceiling Cavity Reflectance( $\rho_{cc}$ )	80			70			50			30			10			0
	50	30	10	50	30	10	50	30	10	50	30	10	50	30	10	0
Room Cavity Ratio RCR	20% Effective Floor Cavity Reflectance															
0	.62	.62	.62	.60	.60	.60	.58	.58	.58	.55	.55	.55	.53	.53	.53	.52
1	.55	.53	.51	.54	.52	.51	.52	.50	.49	.50	.49	.47	.48	.47	.46	.45
2	.49	.46	.44	.48	.45	.43	.46	.44	.42	.45	.43	.41	.43	.42	.40	.39
3	.44	.40	.37	.43	.40	.37	.42	.39	.36	.40	.38	.36	.39	.37	.35	.34
4	.40	.35	.32	.39	.35	.32	.38	.34	.32	.36	.34	.31	.35	.33	.31	.30
5	.36	.31	.28	.35	.31	.28	.34	.31	.28	.33	.30	.28	.32	.29	.27	.26
6	.32	.28	.25	.32	.28	.25	.31	.27	.25	.30	.27	.24	.29	.26	.24	.23
7	.29	.25	.22	.29	.25	.22	.28	.25	.22	.28	.24	.22	.27	.24	.22	.21
8	.27	.23	.20	.27	.23	.20	.26	.22	.20	.25	.22	.20	.25	.22	.20	.19
9	.25	.21	.18	.25	.21	.18	.24	.21	.18	.23	.20	.18	.23	.20	.18	.17
10	.23	.19	.17	.23	.19	.17	.22	.19	.17	.22	.19	.16	.21	.18	.16	.16

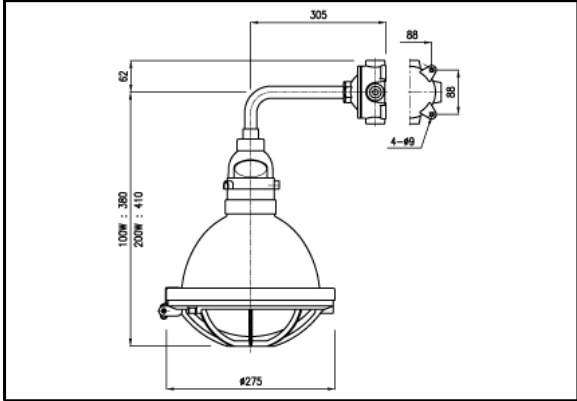
❖ Dimension



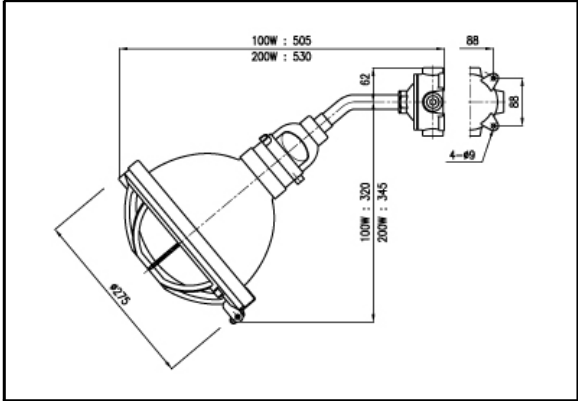
< SYL Ceiling Type >



< SYL Pendant Type >



< SYL 90° Bracket Type >



< SYL 40° Bracket Type >