

## Fluorescent (Emergency) Lighting Fixtures EXFL Series

Wet Locations  
NEMA 3, 3R, 4, 4X, 7

❖ Type of Explosion-proof  
Flameproof (Ex d IIB T6 IP66)  
Flameproof (Ex d IIC T6 IP66)

### ❖ Application

- EXFL Series Fluorescent lighting fixtures are used ;
- in heavy process industries having environments where flammable or explosive vapors or gases are present.
  - in hazardous areas, both indoors and outdoors where long life and low maintenance costs are desired.
  - in petroleum refineries, chemical, petrochemical and other heavy process industry facilities.
  - where ignitable concentrations of flammable gases, vapors or liquids can exist all of the time or some of the time under normal operation conditions.
  - in installations where moisture, dirt, dust, vibration, corrosion and rough usage are problems.

### ❖ Features

- The flameproof enclosures of lamp and ballast are separated from each other with barrier walls and sealing glands.
- The lamp housing has a tubular lamp cover cemented into the lampholder casings at the both ends. One casing contains a fixed lampholder and the other a relamping lampholder.
- The sloping device is provided at the mounting base of relamping side. The lamp housing can be sloped by releasing two fixing screws for easier replacement of the lamp.
- The guard is designed to be able to open at either side by releasing two fixing screws. It is convenient to clean the lamp cover.



<EXFL 21252>

### ❖ Standard Materials

- Enclosure : Cast aluminium alloy
- Lamp cover : Heat resistant hard tubing glass
- Guard : Steel
- Reflector : Sheet steel (Stove enamelled white inside)
- Suspension stem : Heavy gauge steel pipe

### ❖ Certification

- Certified by KOSHA (Korea Occupational Safety & Health Agency), KGS (Korea Gas Safety Corporation), and the others.

### ❖ Standard Finish

- MUNSELL No. 7.5BG 6/1.5
- If you want another color, contact us please.

### ❖ Compliance

- IEC 60079-0, 1
- NEMA 3, 3R, 4, 4X, 7

### ❖ Weight

Catalog No.	Weight
EXFL 21252	11.4kg

### ❖ Technical Data

Electrical Rating	
Rated Voltage	AC110V/ 220V/ 240V
Rated Wattage	18W/ 18W×2/ 20W/ 20W×2/ 32W/ 32W×2/ 36W/ 36W×2/
Rated Frequency	50Hz/ 60Hz
Entry Size	1/2", 3/4", 1"

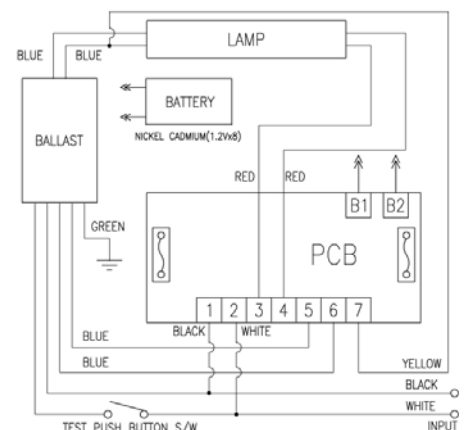
### ❖ Emergency

Battery Rating
DC 9.6V 1.2Ah
Operating Time
30min or 1hr

### ❖ Relamping



Lamp housing is sloped as shown for ease of relamping (no space needed between fixtures for relamping)



⇒ If you need more information, contact us please.

## ❖ Ordering Number

Lamp	Watt	Volt	Pendant	Ceiling	90° Bracket	40° Bracket	Certification
Fluorescent Lamp	18W×1	110	EXFL 21111	EXFL 22111	EXFL 23111	EXFL 24111	Ex d IIB T6 IP66
		220	EXFL 21211	EXFL 22211	EXFL 23211	EXFL 24211	
	18W×2	110	EXFL 21112	EXFL 22112	EXFL 23112	EXFL 24112	
		220	EXFL 21212	EXFL 22212	EXFL 23212	EXFL 24212	
	18W×1	110	EXFL 21111-H	EXFL 22111-H	EXFL 23111-H	EXFL 24111-H	Ex d IIC T6
		220	EXFL 21211-H	EXFL 22211-H	EXFL 23211-H	EXFL 24211-H	
	18W×2	110	EXFL 21112-H	EXFL 22112-H	EXFL 23112-H	EXFL 24112-H	
		220	EXFL 21212-H	EXFL 22212-H	EXFL 23212-H	EXFL 24212-H	
	32W×1	110	EXFL 21131	EXFL 22131	EXFL 23131	EXFL 24131	Ex d IIB T6
		220	EXFL 21231	EXFL 22231	EXFL 23231	EXFL 24231	
	32W×2	110	EXFL 21132	EXFL 22132	EXFL 23132	EXFL 24132	
		220	EXFL 21232	EXFL 22232	EXFL 23232	EXFL 24232	
32W×1	110	EXFL 21131-H	EXFL 22131-H	EXFL 23131-H	EXFL 24131-H	Ex d IIC T6	
	220	EXFL 21231-H	EXFL 22231-H	EXFL 23231-H	EXFL 24231-H		
32W×2	110	EXFL 21132-H	EXFL 22132-H	EXFL 23132-H	EXFL 24132-H		
	220	EXFL 21232-H	EXFL 22232-H	EXFL 23232-H	EXFL 24232-H		
Emergency Fluorescent Lamp	18W×1	110	EXEFL 21111	EXEFL 22111	EXEFL 23111	EXEFL 24111	Ex d IIB T6 IP66
		220	EXEFL 21211	EXEFL 22211	EXEFL 23211	EXEFL 24211	
	18W×2	110	EXEFL 21112	EXEFL 22112	EXEFL 23112	EXEFL 24112	
		220	EXEFL 21212	EXEFL 22212	EXEFL 23212	EXEFL 24212	
	18W×1	110	EXEFL 21111-H	EXEFL 22111-H	EXEFL 23111-H	EXEFL 24111-H	Ex d IIC T6
		220	EXEFL 21211-H	EXEFL 22211-H	EXEFL 23211-H	EXEFL 24211-H	
	18W×2	110	EXEFL 21112-H	EXEFL 22112-H	EXEFL 23112-H	EXEFL 24112-H	
		220	EXEFL 21212-H	EXEFL 22212-H	EXEFL 23212-H	EXEFL 24212-H	
	32W×1	110	EXEFL 21131	EXEFL 22131	EXEFL 23131	EXEFL 24131	Ex d IIB T6
		220	EXEFL 21231	EXEFL 22231	EXEFL 23231	EXEFL 24231	
	32W×2	110	EXEFL 21132	EXEFL 22132	EXEFL 23132	EXEFL 24132	
		220	EXEFL 21232	EXEFL 22232	EXEFL 23232	EXEFL 24232	
32W×1	110	EXEFL 21131-H	EXEFL 22131-H	EXEFL 23131-H	EXEFL 24131-H	Ex d IIC T6	
	220	EXEFL 21231-H	EXEFL 22231-H	EXEFL 23231-H	EXEFL 24231-H		
32W×2	110	EXEFL 21132-H	EXEFL 22132-H	EXEFL 23132-H	EXEFL 24132-H		
	220	EXEFL 21232-H	EXEFL 22232-H	EXEFL 23232-H	EXEFL 24232-H		

## ❖ Ordering Information

<b>EXFL</b>	<b>2</b>	<b>1</b>	<b>1</b>	<b>2</b>	<b>3</b>	<b>-</b>	<b>H</b>
①	②	③	④	⑤	⑥	⑦	

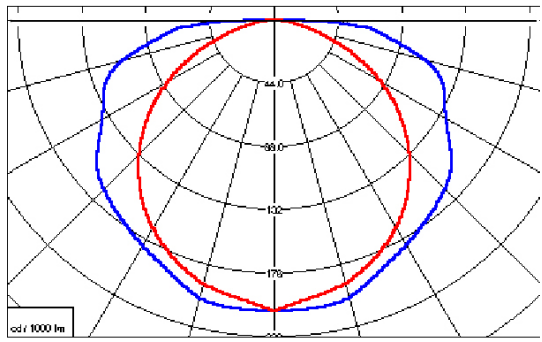
- |  |  |  |
|--|--|--|
| <p>① Lighting Fixture Type<br/>EXFL - Flameproof Fluorescent Lighting Fixture<br/>EXEFL - Emergency Fluorescent Lighting Fixture</p> | <p>② Ballast Type<br/>2 - Internal Ballast</p>                                   | <p>③ Mounting Type<br/>1 - Pendant<br/>2 - Ceiling<br/>3 - 90° Bracket<br/>4 - 40° Bracket</p> |
| <p>④ Voltage (V)<br/>1 - 110<br/>2 - 220<br/>3 - 230<br/>4 - 240</p>   | <p>⑤ Lamp Wattage (W)<br/>1 - 18<br/>2 - 20<br/>3 - 32<br/>4 - 40<br/>5 - 36</p> | <p>⑦ Option<br/>None : IIB Type<br/>- H : IIC Type</p>   |

## ❖ Photometric Data

**<EXFL 22152>**  
 + Lamp : FL36×2  
 (2×2500 lm)  
 + With Globe and Guard

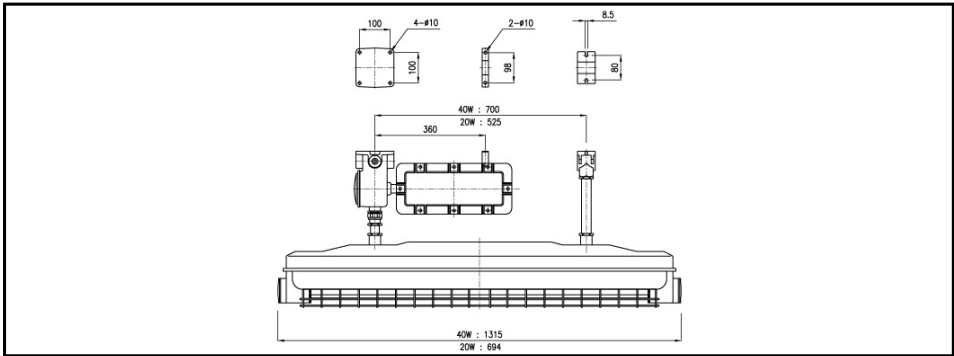
---

Right picture explanation  
 + Blue : Normal to Lamp  
 + Red : Parallel to Lamp

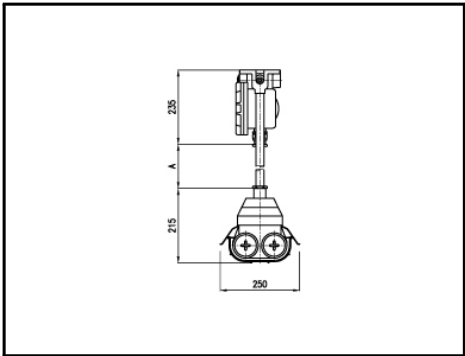


Angle	cd/1000 lm		Angle	cd/1000 lm	
	Blue	Red		Blue	Red
0	201.3	201.3	50	160.0	116.3
5	201.3	195.0	55	146.3	101.3
10	201.3	192.5	60	135.0	83.8
15	200.0	188.8	65	128.8	65.0
20	191.3	182.5	70	123.8	47.5
25	185.0	175.0	75	110.0	30.0
30	180.0	166.3	80	82.5	16.3
35	175.0	156.3	85	68.8	7.5
40	170.0	143.8	90	50.0	2.5
45	165.0	131.3			

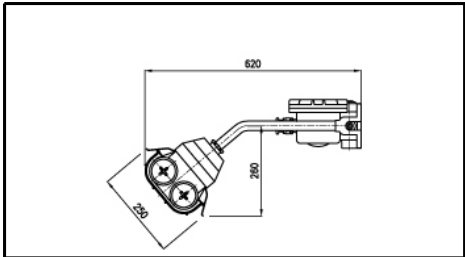
## ❖ Dimension



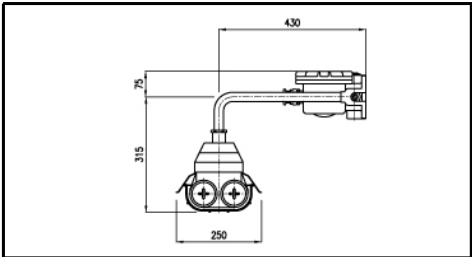
< EXEFL >



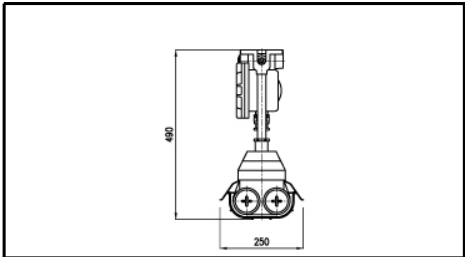
< Pendant Type >



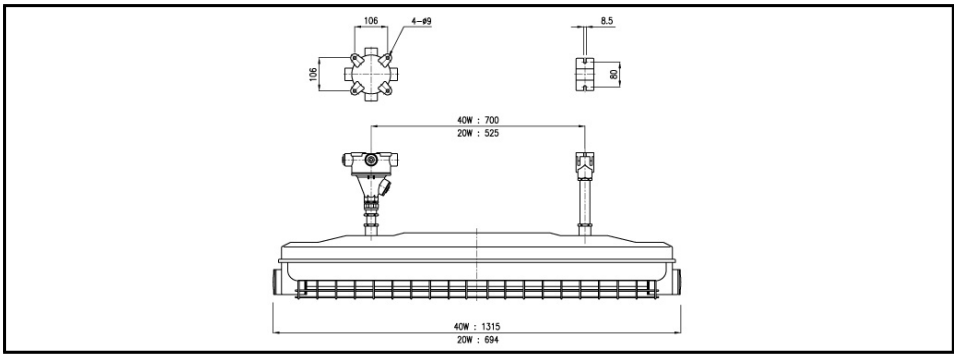
< 40° Bracket Type >



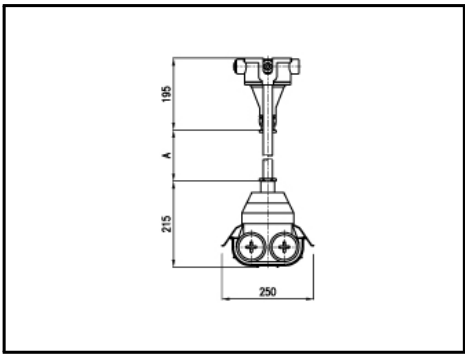
< 90° Bracket Type >



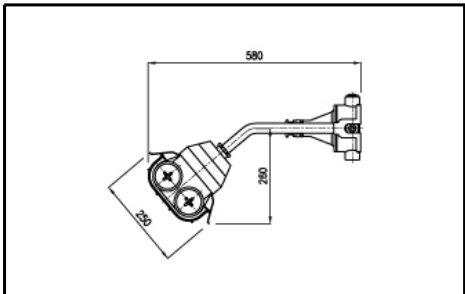
< Ceiling Type >



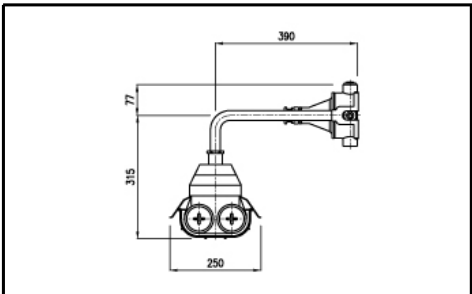
< EXFL >



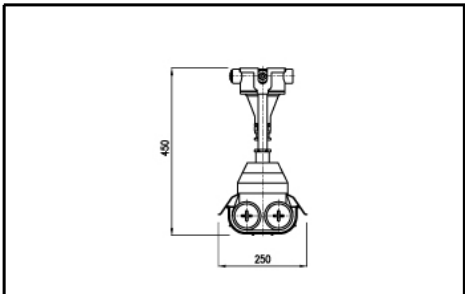
< Pendant Type >



< 40° Bracket Type >



< 90° Bracket Type >



< Ceiling Type >