

HS-10 Exde Ex-Type Speaker

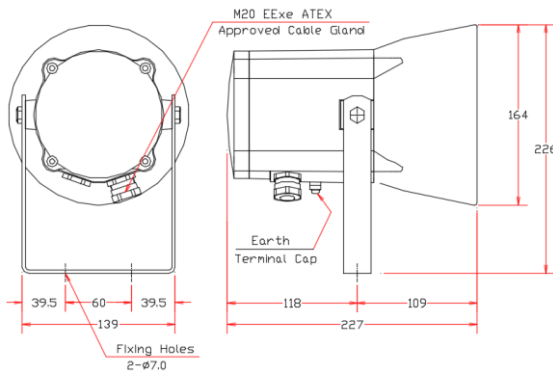
HS-10Exde Speaker, certified ATEX request standard 94/9/EC, EN60079-0,1,7 (DNV ATEX Certified)

- Ex-Type Speaker (Max. 10W)

HS-10 Exde Speaker is officially certified by satisfying the ATEX request standard 94/9/EC, EN60079-0, EN60079-1, and EN60079-7. This type of speakers can be mounted in the area that requires Group II, Zone 1 and 2, Gas class "B, and temperature class T6. The product employs the certified flameproof components and cable glands, yet using this product in Zone 0 is strongly discouraged. Speaker is designed to use in possibly hazardous locations (outdoor type), i.e. the speaker prevents undesirable incidents which can be caused by gas, dust, explosion, etc. It has been developed for safety in hazardous circumstances. This speaker reduces the chance of fire or explosion by adopting a flameproof system that delivers no hazardous elements such as flames and sparks toward the outside of the speaker in a work environment where flammable gas, steam, or dust is present.



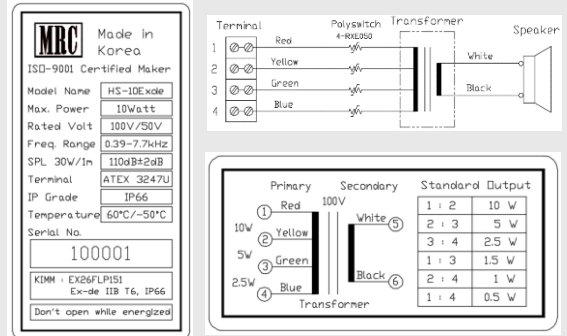
HS-10 Exde Speaker



Dimensions



- Schematics



1W/1m Sine Wave (Sweep): Rx Yokogawa 3604

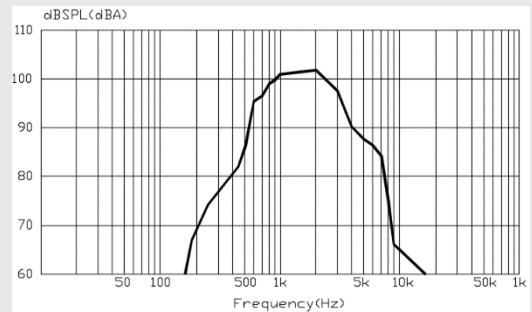


Figure 1

Material/Color	Aluminium/Dark Blue
Mounting	2-ø7(60mm) Screws
Terminal Block	ATEX 3247U/275V 28A
Weight	3.4kg
Ex/IP Grade	Ex de IIB T6, IP66
Ambient Temp.	60°C/-50°C

Figure 2

Power Max.	10W
SPL 1W/1m	101dB±2dB
SPL 6W/1m	110dB±2dB
Effective Freq.	390Hz - 7.7kHz
HS-10Exde-1	M20 EExe 1-Gland
HS-10Exde-2	M20 EExe 2-Gland

ISO 9001 & OHSAS 18001 Certified. For more information, visit www.mrckorea.com.

This document contains proprietary information and may not be copied, reproduced, or utilised in any ways, in all or in part without written permission from Marine Radio Co., Ltd. Copyright © 2016 Marine Radio Co., Ltd. All rights reserved.

