

Sound Powered Telephone

*Marine Sound Powered Telephone (LC-800)
Batteryless Telephone System*



- Operations and Specifications

Telephone Sets: The sound power (battery less) telephone consists of the direct and mutual selection types and is divided into the following according to the purpose.

No.	Type	Name	1:1	1:12	1:24	Area	Etc.
1	Desk	LC-711	O			Office, Cabin	
		LC-812A		O			
		LC-822A			O		
2	Wall	LC-713C	O			Galley	
		LC-713F	O			E/R, S/G/R(w/Sub-Rx)	
		LC-713G	O			E/R, S/G/R(w/Headset)	
		LC-814A		O		Mess Room	
		LC-814B		O		Galley(Gland : 1EA)	
		LC-814C		O		Galley(Gland : 2EA)	
		LC-814E		O		FCS(Gland : 3EA)	
		LC-814F		O		E/R, S/G/R(W/Sub-Rx)	
		LC-814G		O		E/R, S/G/R(w/Headset)	
		LC-824A			O	Mess Room(N.W.T)	
		LC-824B			O	Galley(Gland : 1EA)	
		LC-824C			O	Galley(Gland : 2EA)	
		LC-824E			O	FCS(Gland : 3EA)	
		LC-824F			O	E/R, S/G/R(W/Sub-Rx)	
LC-824G			O	E/R, S/G/R(w/Headset)			
3	Flush	LC-715C	O			W/H or E.C.C/C.C.C	
		LC-816A		O		W/H (W/Dimmer Sw.)	
		LC-816C		O		ECR(W/Signal Kit)	
		LC-826A			O	W/H (W/Dimmer)	
		LC-826C			O	ECR(W/Signal Kit)	
4	Portable	LC-717	O			Bunker St, U/Dk P/S	
		LC-818		O		Bunker St, U/Dk P/S	
		LC-828			O	Bunker St, U/Dk P/S	

- Electric Specifications

1. Compass Safety Distance: Min. 1-meter
2. Voice Transmitting Sensitivity: 0.2V ± 0.1Vrms
3. Frequency Characteristics: less than 6dB (300 Hz ~ 3 kHz)
4. Generator Output Voltage: 75V ± 10%
5. DC power can be connected to this telephone for dimmer source only.

- Cautions

1. This telephone uses the power charged in capacitor for about 30 minutes.
2. Terminal Board "SN": Connect to self-number.
3. Terminal Board "COM": Common line of all telephones
4. Terminal Board "+, -": If the relay box is not used, the bell, R/L and horn connected to the external power (AC/DC).
5. Terminal Board "B1, B2": Contact for external signal.

- Sound Powered Telephone System (LC-800)

The telephone system aims to provide high stability, amplification and clearance. The low power consumption amplifier with capacitor-battery ensures an excellent communication.

It is independently operated from the power supply of the vessel in the case of emergency. The sound powered (battery less) telephone consists of the direct (1:1) and mutual selection (1:12 / 24) types and is divided into the following according to the purpose. And it can be applied desk, flush, wall and intrinsically safe type for hazardous area.

The system is tested according to IEC60945, certified for CE by CCS, RINA and DNV Register.



LC-814G



LC-816C



LC-816A



LC-814C



LC-812



LC-818



JB-9A

ISO 9001 & OHSAS 18001 Certified, for more information, visit www.mrckorea.com

This document contains proprietary information and may not be copied, reproduced, or utilized in anyway, in all or in part without written permission from Marine Radio Co., Ltd. Copyright © 2014 Marine Radio Co., Ltd. All rights reserved.



Sound Powered Telephone (LC-800)

*Marine Sound Powered Telephone (LC-800)
Batteryless Telephone System*

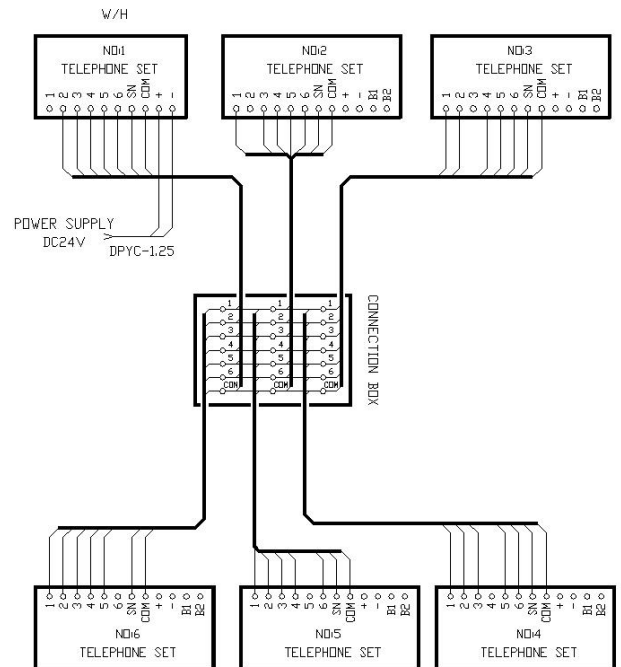
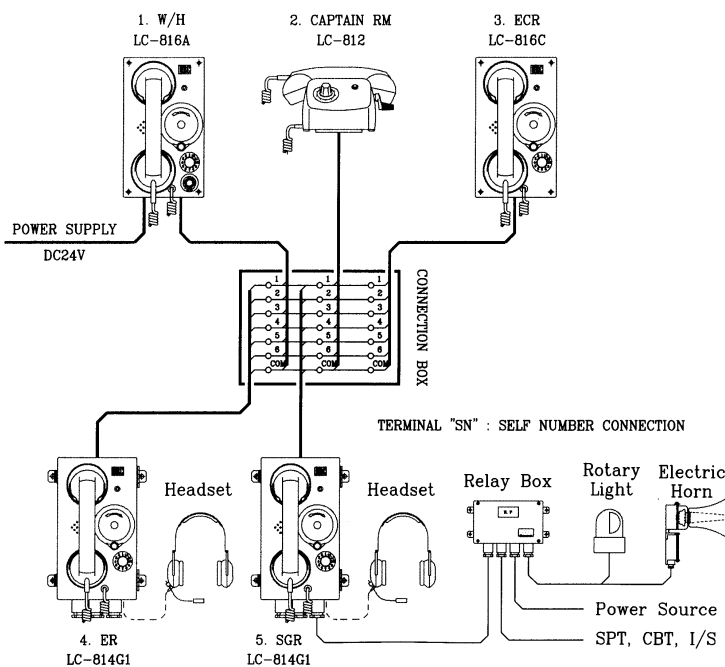
4. SPT

- Mutual Selection Type (Max. 24 Station)-(LC-800)

1. Calling
 - a) Lift the handset and select the switch you want to call.
 - b) Quickly rotate the handle of the magnetic generator 10 times and then the calling signal is transmitted to the called party.
 - c) Communication
2. Answering
 - a) The bell rings while the lamp blinks.
 - b) Lift the handset.
 - c) Communication

- Direct Type (1:1 Station)-(LC-700 Series Only)

1. Calling
 - a) Lift the handset and quickly rotate the handle of the magnetic generator 10 times.
 - b) Then, the calling signal is transmitted to the called party.
 - c) If the other party responds, you talk with him or her.
2. Answering
 - a) The bell rings while the lamp blinks.
 - b) Lift the handset.
 - c) Communication



Wiring Diagram of Sound Powered Telephone System for 6-Station (LC-800)

Agent of MRC

Headquarters

- MRC (Marine Radio Co., Ltd.)
1. Address: 141-132 Namhangdong-3ga, Yongdo-gu, Busan, Korea
 2. Tel: +82-51-414-7891~7
 3. Fax: +82-51-413-2604
 4. Zip Code: 606-033
 5. Homepage: www.mrckorea.com,
 6. E-Mail: verygood@mrckorea.com

ISO 9001 & OHSAS 18001 Certified, for more information, visit www.mrckorea.com

This document contains proprietary information and may not be copied, reproduced, or utilized in anyway, in all or in part without written permission from Marine Radio Co., Ltd. Copyright © 2014 Marine Radio Co., Ltd. All rights reserved.

