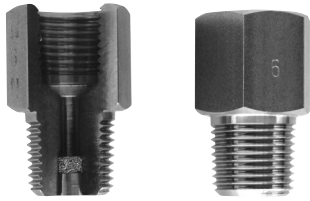


Outline dimension & Mounting type (FS20 Series snubber)

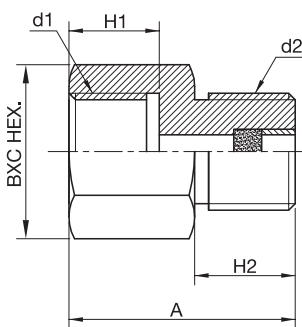
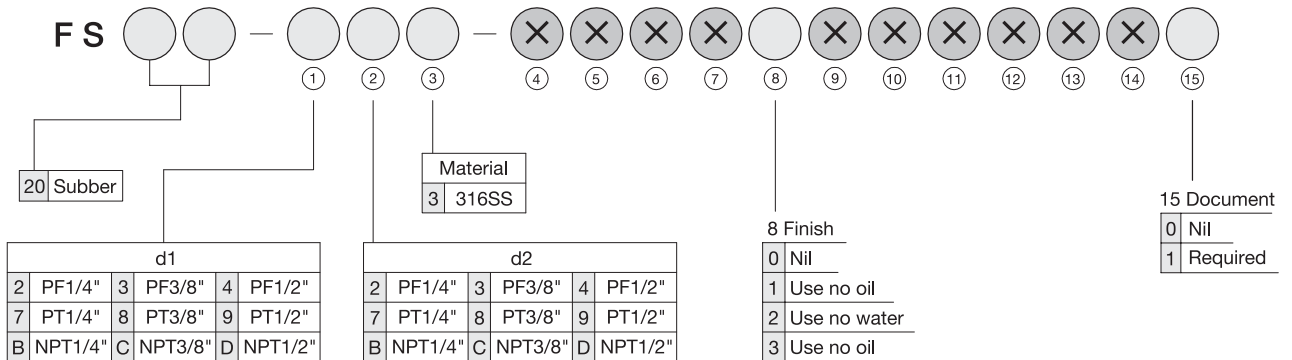


*** Snubber**

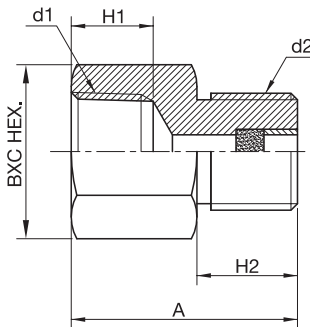
Snubber fittings protect gauges and instruments from system pressure surges and shocks. Pressure damping or "snubbing" is accomplished through the use of a porous sintered 316 stainless steel element assembled into the snubber body. The controlled porosity of the element smooths pressure impulses, thereby prolonging the life and accuracy of sensitive instruments.

- Material : 316SS
- Type : Female screw x Male screw
- Element : 316SS (Sintered SS filter)
- Fluid : Gas, Air, Water
- Working pressure : 35 MPa
- Working temperature : 80°C
- Weight : Approx. 0.13kg

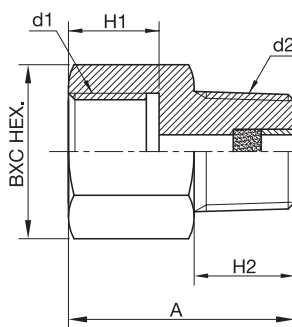
* For ordering, Please specify the model number and each spec.



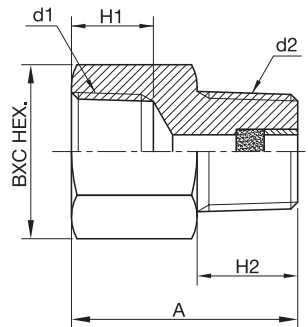
FS20 - □□□



FS20 - □□□



FS20 - □□□



FS20 - □□□

Model No.	d1 x d2	A	H1	H2	B x C HEX.
FS20-343	PF3/8 X PF1/2	45	16	20	24 X 27.7
FS20-383	PF3/8 X PT3/8	43	16	14	
FS20-393	PF3/8 X PT1/2	45	16	16	
FS20-3C3	PF3/8 X NPT3/8	43	16	14	
FS20-3D3	PF3/8 X NPT1/2	45	16	16	
FS20-433	PF1/2 X PF3/8	43	18	18	27 X 31.2
FS20-483	PF1/2 X PT3/8	43	18	14	
FS20-493	PF1/2 X PT1/2	45	18	16	
FS20-4C3	PF1/2 X NPT3/8	43	16	14	
FS20-4D3	PF1/2 X NPT1/2	45	18	16	24 X 27.7
FS20-833	PT3/8 X PF3/8	41	14	18	
FS20-843	PT3/8 X PF1/2	43	14	20	
FS20-933	PT1/2 X PF3/8	43	17	18	
FS20-943	PT1/2 X PF1/2	45	17	20	27 X 31.2