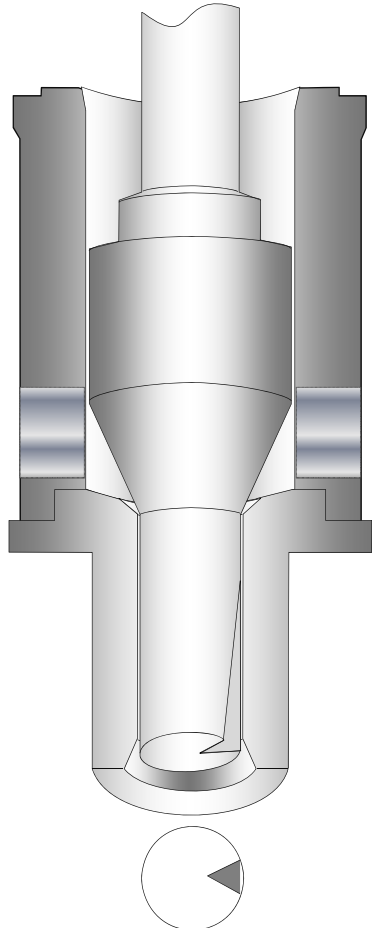


KVT control valve trim model PT-S



Details-PT48

Trim Type	PT-S (Plug Throttling)
Valve Design	Straight, Angle, Y & Elbow down
Service Function	Very Small Flow & Flashing
Trim Sizes, mm	15(1/4") ~ 25(1")
Cv Range	0.001 ~ 3.2
Flow Direction	Over
WEB Seal Type	Quick Change
Leakage Class	V
Flow Characteristic	Linear
Cavitation Index Range	1.22
Balance of Trim	Unbalanced
Rangeability	Varies, 25:1(Average)
Typical Applications	Drain, Vent, Seal Steam, sampling
Features	<ul style="list-style-type: none"> ● Special designed for micro-flow control ● Needle plug with micro-flow notches ● Anti-galling design for plug needle & seat

