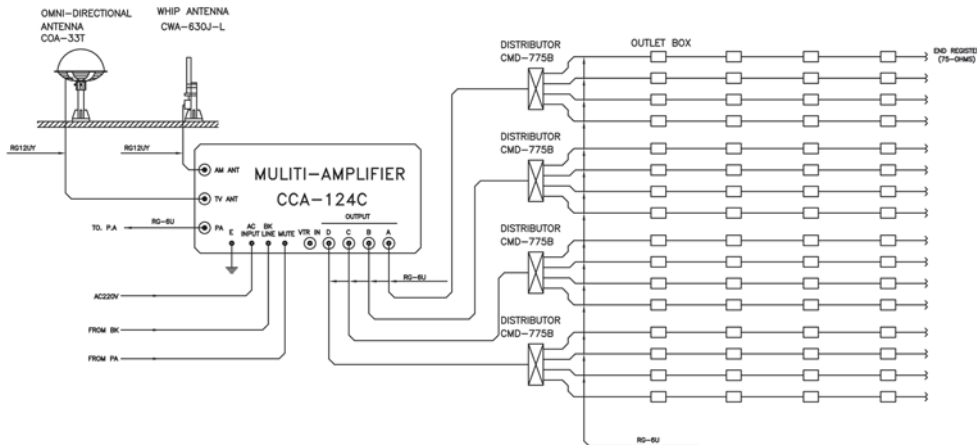


COMMUNAL AERIAL CCA-124

The CCA-124 system offers an excellent marine Radio & TV aerial system. It is widely used as a multi amplifier covering MF, SW, FM, VHF(H/L), UHF, VTR bands. The system is composed of an amplifier and two antenna. The omnidirectional antenna is compact and capable of stable signal receiving, the other is a whip antenna for receiving a MF/SW band's signal. The system is adapted AGG(Automatic Gain Control) in front of wide band multi amplifier by preventing the range of weak electric wave.



DIAGRAM



SPECIFICATION

Number of Subscriber	64 EA
Frequency Gain	MF / SW [150kHz - 30MHz] - Min. 15dB / VHF.L[45MHz - 110MHz] - Min. 20dB VHF.H[170MHz - 225MHz] - min. 20dB / UHF[470MHz - 850MHz] - min. 20dB
Gain Deviation	MF / SW[0.8dB], VHF[1.0dB], UHF[2.0dB]
Noise Figure	MF / SW[7dB], VHF[8dB], UHF[8dB]
Maximum Level	MF / SW[85dB], FM / VHF / UHF[110dB]
Power Consumption	AC220V, 20mA, Max. 10VA
Operation Temperature	-20°C ~ +40°C
IN/OUT Impedance	75 ohm
Power Source	AC-110 / 220V, 1ph, 50 / 60Hz
Dimension(mm)	320(W) x 284(H) x 122(D)
Material	Steel