

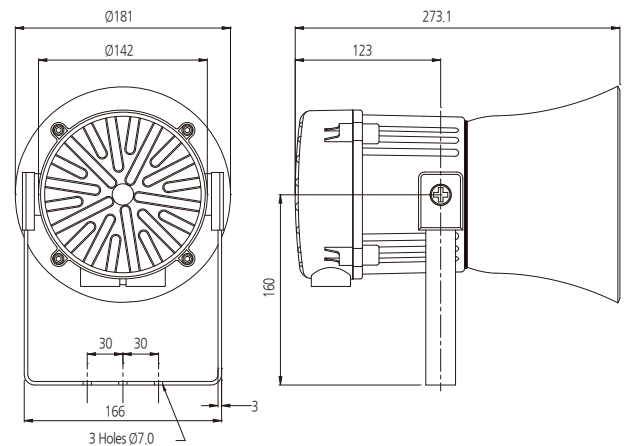
Non-Flame Proof Type Sounder - Effective range 100M

MA112

Feature

- ▷ Automatic synchronisation on multi-sounder system.
- ▷ Continuously rated.
- ▷ Large termination area.
- ▷ Stainless steel fixings.
- ▷ Ratchet adjustable stainless steel 'U' bracket for 360° positioning.
- ▷ Duplicate cable terminations (in & out for daisy-chain installations).
- ▷ Tropicalisation available on request.
- ▷ Available with custom tone configurations and frequencies.
- ▷ 'Programmable' version available:
 - 45 alarm tones
 - 4 remotely selectable stages
 - Any tone can be assigned to Any stage
 - User configurable continuous frequency tone

Dimension (Unit:mm)



Specification

Maximum output	119dB(A) @ 1 metre
Nominal output	112dB(A) @ 1m +/- 3dB - Tone 2
No. of tones	45 (UKOOA / PFEER compliant)
No. of stages	3
Volume control	Max. 112dB(A); Min. 100dB(A) - Tone 2
Effective range	125m @ 1KHz
Voltages DC	24V dc (10-30V dc); 48V dc (35-60V dc) [DC units can use 24V ac for single stage applications.]
Voltages AC	24V ac; 115V ac; 230V ac
Stage switching	Negative or positive Reverse polarity stage switching on DC units.
Ingress protection	IP66 & IP67 (Third party tested)
Housing material	High impact UL94 V0 & 5VA FR ABS
Colour	Grey (RAL7038)
Cable entries	2 x M20 supplied with 1 blanking plug
Terminals	0,5 to 4,0mm ² cables.
Operating temp	-25°C to +55°C
Storage temp	-40°C to +70°C
Relative humidity	90% at 20°C
Weight	DC: 2.50kg / AC:3.00kg
*SPL data +/-3dB(A). Measured at optimum voltage	

Part codes

Version	Voltage
24V dc	MA112DC24G
48V dc	MA112DC48G
24V ac	MA112AC24G
115V ac	MA112AC115G
230V ac	MA112AC230G
Suffix part number with 'P' for programmable, 4 stage, 45 tone version.	

Alarm sounder

Version	Voltage	Current
24V dc	10-30V dc	200mA*
48V dc	35-60V dc	120mA*
24V ac	50/60Hz	+/-10% 500mA
115V ac	50/60Hz	+/-10% 100mA
230V ac	50/60Hz	+/-10% 60mA
* current at nominal voltage on Tone 2		

Tone table

Stage 1	Frequency Description.	Stage 2	Stage 3
Tone 1	340 Hz Continuous	Tone 2	Tone 5
Tone 2	800/1000Hz @ 0.25 sec Alternating	Tone 17	Tone 5
Tone 3	500/1200Hz @ 0.3Hz 0.5 sec Slow Whoop	Tone 2	Tone 5
Tone 4	800/1000Hz @ 1Hz Sweeping	Tone 6	Tone 5
Tone 5	2400Hz Continuous	Tone 3	Tone 20
Tone 6	2400/2900Hz @ 7Hz Sweeping	Tone 7	Tone 5
Tone 7	2400/2900Hz @ 1Hz Sweeping	Tone 10	Tone 5
Tone 8	500/1200/500Hz @ 0.3Hz Sweeping	Tone 2	Tone 5
Tone 9	1200/500Hz @ 1Hz - DIN / PFEER P.T.A.P.	Tone 15	Tone 2
Tone 10	2400/2900Hz @ 2Hz Alternating	Tone 7	Tone 5
Tone 11	1000Hz @ 1Hz Intermittent	Tone 2	Tone 5
Tone 12	800/1000Hz @ 0.875Hz Alternating	Tone 4	Tone 5
Tone 13	2400Hz @ 1Hz Intermittent	Tone 15	Tone 5
Tone 14	800Hz 0.25sec on, 1 sec off Intermittent	Tone 4	Tone 5
Tone 15	800Hz Continuous	Tone 2	Tone 5
Tone 16	660Hz 150mS on, 150mS off Intermittent	Tone 18	Tone 5
Tone 17	544Hz (100mS)/440Hz (400mS) - NF S 32-001	Tone 2	Tone 27
Tone 18	660Hz 1.8sec on, 1.8sec off Intermittent	Tone 2	Tone 5
Tone 19	1.4KHz-1.6KHz 1s, 1.6KHz-1.4KHz 0.5s - NFC48-265	Tone 2	Tone 5
Tone 20	660Hz Continuous	Tone 2	Tone 5
Tone 21	554Hz/440Hz @ 1Hz Alternating	Tone 2	Tone 5
Tone 22	544Hz @ 0.875 sec. Intermittent	Tone 2	Tone 5
Tone 23	800Hz @ 2Hz Intermittent	Tone 6	Tone 5
Tone 24	800/1000Hz @ 50Hz Sweeping	Tone 29	Tone 5
Tone 25	2400/2900Hz @ 50Hz Sweeping	Tone 29	Tone 5
Tone 26	Bell	Tone 2	Tone 15
Tone 27	554Hz Continuous	Tone 26	Tone 5
Tone 28	440Hz Continuous	Tone 2	Tone 5
Tone 29	800/1000Hz @ 7Hz Sweeping	Tone 7	Tone 5
Tone 30	300Hz Continuous	Tone 2	Tone 5
Tone 31	660/1200Hz @ 1Hz Sweeping	Tone 26	Tone 5
Tone 32	Two tone chime.	Tone 26	Tone 15
Tone 33	745Hz @ 1Hz Intermittent	Tone 2	Tone 5
Tone 34	1000 & 2000Hz @ 0.5 sec Alternating - Singapore	Tone 38	Tone 45
Tone 35	420Hz @ 0.625 sec Australian Alert	Tone 36	Tone 5
Tone 36	500-1200Hz 3.75sec /0.25sec. Australian EVAC.	Tone 35	Tone 5
Tone 37	1000Hz Continuous - PFEER Toxic Gas	Tone 9	Tone 45
Tone 38	2000Hz Continuous	Tone 34	Tone 45
Tone 39	800Hz 0.25sec on, 1 sec off Intermittent	Tone 23	Tone 17
Tone 40	544Hz (100mS)/440Hz (400mS) - NF S 32-001	Tone 31	Tone 27
Tone 41	Motor Siren - slow rise to 1200 Hz	Tone 2	Tone 5
Tone 42	Motor Siren - slow rise to 800 Hz	Tone 2	Tone 5
Tone 43	1200 Hz Continuous	Tone 2	Tone 5
Tone 44	Motor Siren - slow rise to 2400 Hz	Tone 2	Tone 5
Tone 45	1KHz 1s on, 1s off Intermittent - PFEER Gen. Alarm	Tone 38	Tone 34