

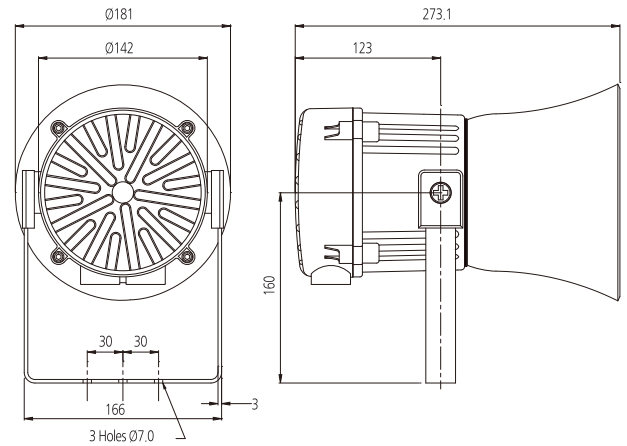
비방폭형 사운드 - 유효범위 100M

MA112

제품의 특징

- ▷ 멀티 경광등 시스템의 자동 동기화
- ▷ 안정적인 속도 유지
- ▷ 스테인리스 스틸 고정대
- ▷ 360도 위치 선정을 위한 조정 가능한 스테인리스 스틸 'U' 브라켓
- ▷ 듀플리킷 케이블 터미네이션 (데이지 체인 설치를 위한 in&out)
- ▷ 필요 시 열대화 설정 가능
- ▷ 사용자 주파수 설정 가능
- ▷ 프로그램 설정 가능:
 - 45개의 알람 톤
 - 원격으로 선택 가능한 4가지 스테이지
 - 스테이지에 상관없이 톤 설정 가능
 - 사용자 주파수 설정 가능

Dimension (Unit:mm)



Specification

Maximum output	119dB(A) @ 1 metre
Nominal output	112dB(A) @ 1m +/- 3dB - Tone 2
No. of tones	45 (UKOOA / PFEER compliant)
No. of stages	3
Volume control	Max. 112dB(A); Min. 100dB(A) - Tone 2
Effective range	125m @ 1KHz
Voltages DC	24V dc (10-30V dc); 48V dc (35-60V dc) [DC units can use 24V ac for single stage applications.]
Voltages AC	24V ac; 115V ac; 230V ac
Stage switching	Negative or positive Reverse polarity stage switching on DC units.
Ingress protection	IP66 & IP67 (Third party tested)
Housing material	High impact UL94 V0 & 5VA FR ABS
Colour	Grey (RAL7038)
Cable entries	2 x M20 supplied with 1 blanking plug
Terminals	0.5 to 4.0mm ² cables.
Operating temp	-25°C to +55°C
Storage temp	-40°C to +70°C
Relative humidity	90% at 20°C
Weight	DC: 2.50kg / AC:3.00kg
*SPL data +/-3dB(A). Measured at optimum voltage	

Part codes

Version	Voltage
24V dc	MA112DC24G
48V dc	MA112DC48G
24V ac	MA112AC24G
115V ac	MA112AC115G
230V ac	MA112AC230G
Suffix part number with 'P' for programmable, 4 stage, 45 tone version.	

Alarm sounder

Version	Voltage	Current
24V dc	10-30V dc	200mA*
48V dc	35-60V dc	120mA*
24V ac	50/60Hz	+/-10% 500mA
115V ac	50/60Hz	+/-10% 100mA
230V ac	50/60Hz	+/-10% 60mA
* current at nominal voltage on Tone 2		

Tone table

Stage 1	Frequency Description.	Stage 2	Stage 3
Tone 1	340 Hz Continuous	Tone 2	Tone 5
Tone 2	800/1000Hz @ 0.25 sec Alternating	Tone 17	Tone 5
Tone 3	500/1200Hz @ 0.3Hz 0.5 sec Slow Whoop	Tone 2	Tone 5
Tone 4	800/1000Hz @ 1Hz Sweeping	Tone 6	Tone 5
Tone 5	2400Hz Continuous	Tone 3	Tone 20
Tone 6	2400/2900Hz @ 7Hz Sweeping	Tone 7	Tone 5
Tone 7	2400/2900Hz @ 1Hz Sweeping	Tone 10	Tone 5
Tone 8	500/1200/500Hz @ 0.3Hz Sweeping	Tone 2	Tone 5
Tone 9	1200/500Hz @ 1Hz - DIN / PFEER P.T.A.P.	Tone 15	Tone 2
Tone 10	2400/2900Hz @ 2Hz Alternating	Tone 7	Tone 5
Tone 11	1000Hz @ 1Hz Intermittent	Tone 2	Tone 5
Tone 12	800/1000Hz @ 0.875Hz Alternating	Tone 4	Tone 5
Tone 13	2400Hz @ 1Hz Intermittent	Tone 15	Tone 5
Tone 14	800Hz 0.25sec on, 1 sec off Intermittent	Tone 4	Tone 5
Tone 15	800Hz Continuous	Tone 2	Tone 5
Tone 16	660Hz 150mS on, 150mS off Intermittent	Tone 18	Tone 5
Tone 17	544Hz (100mS)/440Hz (400mS) - NF S 32-001	Tone 2	Tone 27
Tone 18	660Hz 1.8sec on, 1.8sec off Intermittent	Tone 2	Tone 5
Tone 19	1.4KHz-1.6KHz 1s, 1.6KHz-1.4KHz 0.5s -NFC48-265	Tone 2	Tone 5
Tone 20	660Hz Continuous	Tone 2	Tone 5
Tone 21	554Hz/440Hz @ 1Hz Alternating	Tone 2	Tone 5
Tone 22	544Hz @ 0.875 sec. Intermittent	Tone 2	Tone 5
Tone 23	800Hz @ 2Hz Intermittent	Tone 6	Tone 5
Tone 24	800/1000Hz @ 50Hz Sweeping	Tone 29	Tone 5
Tone 25	2400/2900Hz @ 50Hz Sweeping	Tone 29	Tone 5
Tone 26	Bell	Tone 2	Tone 15
Tone 27	554Hz Continuous	Tone 26	Tone 5
Tone 28	440Hz Continuous	Tone 2	Tone 5
Tone 29	800/1000Hz @ 7Hz Sweeping	Tone 7	Tone 5
Tone 30	300Hz Continuous	Tone 2	Tone 5
Tone 31	660/1200Hz @ 1Hz Sweeping	Tone 26	Tone 5
Tone 32	Two tone chime.	Tone 26	Tone 15
Tone 33	745Hz @ 1Hz Intermittent	Tone 2	Tone 5
Tone 34	1000 & 2000Hz @ 0.5 sec Alternating - Singapore	Tone 38	Tone 45
Tone 35	420Hz @ 0.625 sec Australian Alert	Tone 36	Tone 5
Tone 36	500-1200Hz 3.75sec /0.25sec. Australian EVAC.	Tone 35	Tone 5
Tone 37	1000Hz Continuous - PFEER Toxic Gas	Tone 9	Tone 45
Tone 38	2000Hz Continuous	Tone 34	Tone 45
Tone 39	800Hz 0.25sec on, 1 sec off Intermittent	Tone 23	Tone 17
Tone 40	544Hz (100mS)/440Hz (400mS) - NF S 32-001	Tone 31	Tone 27
Tone 41	Motor Siren - slow rise to 1200 Hz	Tone 2	Tone 5
Tone 42	Motor Siren - slow rise to 800 Hz	Tone 2	Tone 5
Tone 43	1200 Hz Continuous	Tone 2	Tone 5
Tone 44	Motor Siren - slow rise to 2400 Hz	Tone 2	Tone 5
Tone 45	1KHz 1s on, 1s off Intermittent - PFEER Gen. Alarm	Tone 38	Tone 34