

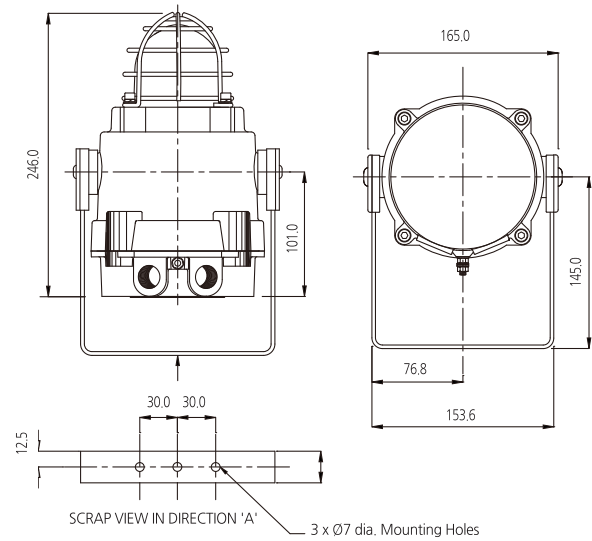
# 방폭형 제논 경광등 10 Joule

## BExBG10

### 제품의 특징

- ▷ 멀티 경광등 시스템의 자동 동기화
- ▷ 다른 장비에 장착된 멀티 경광등과 함께 'flip-flop' 전환 모드로 설정 가능
- ▷ 외부 충격과 진동으로부터 보호 가능한 제논 튜브
- ▷ 유리 렌즈 및 스테인리스 스틸 가드
- ▷ 조정 가능한 스테인리스 스틸 'U' 브라켓
- ▷ IN&OUT 터미널 (Ex de 버전에만 적용)

### Dimension (Unit:mm)



<Ex d type>



Combination



## Specification

|  |  |
|--|--|
| Energy   | 10 Joules (10Ws)   |
| Flash rate   | 1Hz (60 fpm)   |
| Peak candela   | 1,000,000 cd - calculated from energy (J)  |
| Effective intensity cd   | 500 cd - calculated from energy (J)  |
| Peak candela   | 79,531 cd* - measured ref. to I.E.S.   |
| Effective intensity cd   | 346 cd* - measured ref. to I.E.S.  |
| Lens colours   | Amber, Blue, Clear, Green, Red & Yellow  |
| Voltages DC  | 12VDC; 24VDC; 48VDC  |
| Voltages AC  | 115VAC; 230VAC   |
| Ingress protection   | BG10D : IP66/67, BG10E : IP66  |
| Housing material   | Marine grade copper free LM6 Aluminium   |
| Housing finish   | Phosphated & powder coated finish : anti-corrosion                                       |
| Colour   | RAL3000 Red (others available on request)  |
| Cable entries  | Dual M20 ISO (one stopping plug inc)   |
| Terminals  | 0.5 to 4.0mm <sup>2</sup> cables.  |
| Line monitoring  | Min. 500 Ohm 2w, or 3k3 Ohm<br>0.5w res. or diode within<br>Exd enclosure (dc versions). |
| Tube life  | Emissions are reduced to 70% after 8 million flashes                                     |
| Weight   | DC: 2.45kg / AC: 2.75kg  |
| *All candela data is representative of performance with clear lens at optimum voltage. |  |

## Part codes

| PART CODE                             | CLASSIFICATION   |
|---------------------------------------|--|
| BExBG10D**                            | <p><b>ATEX / IECEx</b><br/>                     II 2G Ex d IIC T4 Ta. -50°C to +70°C<br/>                     II 2G Ex d IIC T5 Ta. -50°C to +40°C<br/>                     II 2D Ex tD A21 IP67 T125°C based on max. Ta. 70°C</p> <p><b>GOST-R</b><br/>                     1ExdIICT4 Ta. -50°C to +55°C<br/>                     DIP A21 Ta T4</p> <p><b>ATEX / IECEx</b><br/>                     II 2G Ex de IIC T4 Ta. -50°C to +70°C<br/>                     II 2G Ex de IIC T5 Ta. -50°C to +40°C<br/>                     II 2D Ex tD A21 IP66 T125°C based on max. Ta. 70°C</p> <p><b>GOST-R</b><br/>                     2ExdellCT4 Ta. -50°C to +55°C<br/>                     DIP A21 Ta T4</p> |
| BExBG10E**                            | <p><b>ATEX / IECEx</b><br/>                     II 2G Ex de IIC T4 Ta. -50°C to +70°C<br/>                     II 2G Ex de IIC T5 Ta. -50°C to +40°C<br/>                     II 2D Ex tD A21 IP66 T125°C based on max. Ta. 70°C</p> <p><b>GOST-R</b><br/>                     2ExdellCT4 Ta. -50°C to +55°C<br/>                     DIP A21 Ta T4</p>  |
| ** = Voltage & lens colour reference: |  |
| Voltage options                       | 24DC, 48DC, 115AC, 230AC   |
| Lens colour options                   | AM (Amber), BL (Blue), CL (Clear), GN (Green), RD (Red), YW (Yellow)   |
| e.g: BExBG10D115AC-AM                 |  |

## Current consumption

| Version           | Voltage   | (Current) |
|-------------------|-----------|-----------|
| 12V dc            | 10-14V dc | (1.45A)   |
| 24V dc            | 20-28V dc | (660mA)   |
| 48V dc            | 42-54V dc | (340mA)   |
| 115V ac 50Hz/60Hz | ±10%      | (250mA)   |
| 230V ac 50Hz/60Hz | ±10%      | (110mA)   |

## Effective Candela lens colour factor

| Amber | Blue | Clear | Green | Red  | Yellow |
|-------|------|-------|-------|------|--------|
| 0.51  | 0.12 | 1.00  | 0.49  | 0.15 | 0.86   |