

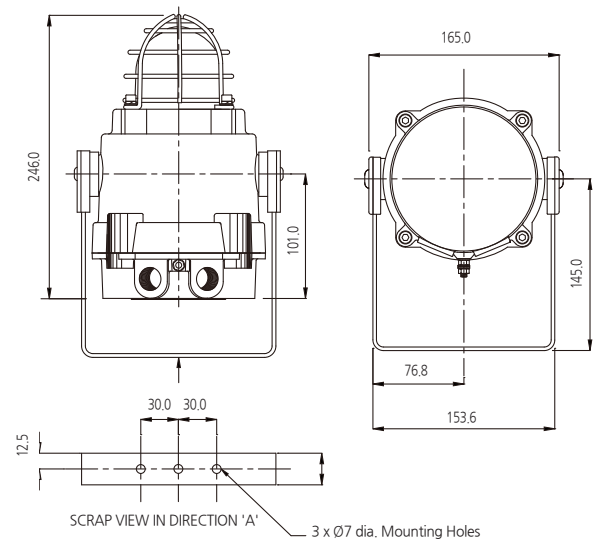
Flame Proof Type Xenon Beacon 10 Joule

BExBG10

Feature

- ▷ Automatic synchronisation on multi-beacon system.
- ▷ Beacons can be set to 'flip-flop' alternating mode with other units on multi-beacon systems.
- ▷ Xenon tubes mechanically secured against shock & vibration
- ▷ Glass lens & Stainless Steel guard
- ▷ Very large termination area.
- ▷ Ratchet adjustable stainless steel 'U' bracket.
- ▷ IN & OUT terminals (Ex de version only)

Dimension (Unit:mm)



(Ex d type)



Combination



Specification

Energy	10 Joules (10Ws)
Flash rate	1Hz (60 fpm)
Peak candela	1,000,000 cd - calculated from energy (J)
Effective intensity cd	500 cd - calculated from energy (J)
Peak candela	79,531 cd* - measured ref. to I.E.S.
Effective intensity cd	346 cd* - measured ref. to I.E.S.
Lens colours	Amber, Blue, Clear, Green, Red & Yellow
Voltages DC	12VDC; 24VDC; 48VDC
Voltages AC	115VAC; 230VAC
Ingress protection	BG10D : IP66/67, BG10E : IP66
Housing material	Marine grade copper free LM6 Aluminium
Housing finish	Phosphated & powder coated finish : anti-corrosion
Colour	RAL3000 Red (others available on request)
Cable entries	Dual M20 ISO (one stopping plug inc)
Terminals	0.5 to 4.0mm ² cables.
Line monitoring	Min. 500 Ohm 2w, or 3k3 Ohm 0.5w res. or diode within Exd enclosure (dc versions).
Tube life	Emissions are reduced to 70% after 8 million flashes
Weight	DC: 2.45kg / AC: 2.75kg
*All candela data is representative of performance with clear lens at optimum voltage.	

Part codes

PART CODE	CLASSIFICATION
BExBG10D**	<p>ATEX / IECEx</p> <p>II 2G Ex d IIC T4 Ta. -50°C to +70°C II 2G Ex d IIC T5 Ta. -50°C to +40°C II 2D Ex tD A21 IP67 T125°C based on max. Ta. 70°C</p> <p>GOST-R</p> <p>1ExdIICT4 Ta. -50°C to +55°C DIP A21 Ta T4</p> <p>ATEX / IECEx</p> <p>II 2G Ex de IIC T4 Ta. -50°C to +70°C II 2G Ex de IIC T5 Ta. -50°C to +40°C II 2D Ex tD A21 IP66 T125°C based on max. Ta. 70°C</p> <p>GOST-R</p> <p>2ExdellCT4 Ta. -50°C to +55°C DIP A21 Ta T4</p>
BExBG10E**	<p>ATEX / IECEx</p> <p>II 2G Ex de IIC T4 Ta. -50°C to +70°C II 2G Ex de IIC T5 Ta. -50°C to +40°C II 2D Ex tD A21 IP66 T125°C based on max. Ta. 70°C</p> <p>GOST-R</p> <p>2ExdellCT4 Ta. -50°C to +55°C DIP A21 Ta T4</p>
** = Voltage & lens colour reference:	
Voltage options	24DC, 48DC, 115AC, 230AC
Lens colour options	AM (Amber) , BL (Blue) , CL (Clear) , GN (Green) , RD (Red) , YW (Yellow)
e.g: BExBG10D115AC-AM	

Current consumption

Version	Voltage	(Current)
12V dc	10-14V dc	(1.45A)
24V dc	20-28V dc	(660mA)
48V dc	42-54V dc	(340mA)
115V ac 50Hz/60Hz	±10%	(250mA)
230V ac 50Hz/60Hz	±10%	(110mA)

Effective Candela lens colour factor

Amber	Blue	Clear	Green	Red	Yellow
0.51	0.12	1.00	0.49	0.15	0.86