

Single IR 불꽃 감지기

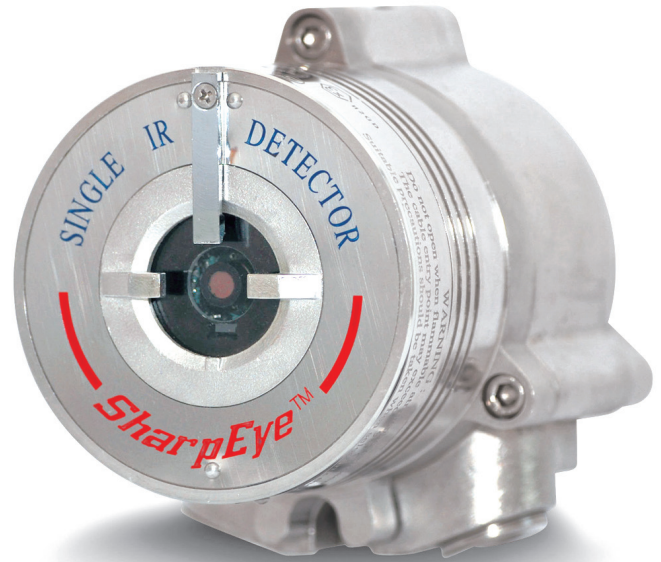
40/40R

SharpEye

40/40R 싱글 적외선 불꽃 감지기는 탄화수소 계열의 연료와 가스 불꽃을 고급 불꽃 감지도구를 이용하여 감지합니다. 40/40R은 불꽃에 대한 조기 경보와 햇빛으로 부터의 IR을 걸러서 감지합니다.

40/40R 시장에서 가장 내구성이 좋은 감지기입니다. 강화유리, HART 통신, 낮은 전력사용, 컴팩트한 경량 디자인이 특징입니다.

높은 신뢰성으로 40/40시리즈는 보증기간이 5년으로 늘어났고 SIL2인증을 받았습니다.



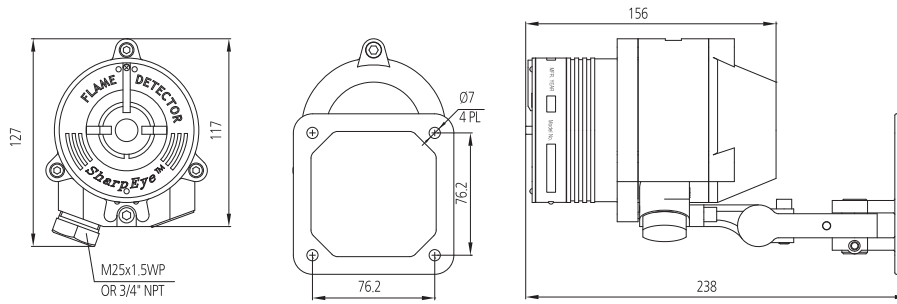
FEATURES & BENEFITS

- 감도선택
- 내장된 수동 & 자동 테스트(BIT)
 - 안정적인 작동을 보장하기 위해 수동 & 자동 테스트가 내장됨
- 유연성과 호환성을 최대화 하기 위한 여러 출력 옵션
 - 3개의 릴레이
 - 0-20mA
 - HART 통신
 - RS-485
- 높은 신뢰성 - MTBF - 최소 150,000 시간
- Safety Integrity Level 2 인증 (SIL2 - TUV)
- 5년 사용 보증
- HART 또는 RS-485를 통한 사용자 프로그램작동 가능

Accessories

		
Simulators 9m까지 작동	Tilt Mount Wall Mount bracket	Duct Mount 고온환경에서 사용가능
		
U-Bolt/Pole Mount 2" ~ 3" 파이프 마운팅	Laser Pointer 실제범위 최적화용	Air shield 오염되기 쉬운 지역사용
		
Weather Protector 비, 눈, 직사광선에 대한 보호 커버	Mini Laptop Kit 감지기 설정 구성 및 진단 수행	USB RS485 Harness 감지기 진단수행

Dimension (Unit:mm)



GENERAL SPECIFICATIONS

Spectral Response	Single band IR 4.4-4.6 μm					
Detection Range (at highest Sensitivity Setting for 1ft ² (0.1m ²) pan fire)	Fuel	ft / m	Fuel	ft / m	Fuel	ft / m
	n-Heptane	50 / 15	Kerosene	37 / 11	Methane*	16 / 5
	Gasoline	50 / 15	Ethanol 95%	25 / 7.5	LPG *	16 / 5
	Diesel Fuel	37 / 11	Methanol	25 / 7.5	Polypropylene Pellets	10 / 3
	JP5	37 / 11	IPA (Isopropyl Alcohol)	25 / 7.5	Office Paper	
	* 20" (0.5m) high, 8" (0.2m) width plume fire					
Response Time	Typically 5 seconds					
Adjustable Time Delay	Up to 30 seconds					
Sensitivity Ranges	2 ranges: 1 ft ² (0.1m ²) n-heptane pan fire from 15 ft (5m) or 50 ft (15m)					
Field of View	Horizontal 90°; Vertical 90°					
Built-in-Test (BIT)	Automatic (and Manual)					
Temperature Range	Operating:	-67°F to +167°F		(-55°C to +75°C)		
	Option:	-67°F to +185°F		(-55°C to +85°C)		
	Storage:	-67°F to +185°F		(-55°C to +85°C)		
Humidity	Up to 95% non-condensing (withstands up to 100% RH for short periods)					
Heated Optics	To eliminate condensation and icing on the window					

ELECTRICAL SPECIFICATIONS

Operating Voltage	24 VDC nominal (18-32 VDC)
Power Consumption	Standby: Max. 90mA (110mA with heated window) Alarm: Max. 130mA (160mA with heated window)
Cable Entries	2 x 3/4" - 14NPT conduits or 2 x M25 x 1.5 mm ISO
Wiring	12 - 22AWG (2.5mm ² - 0.3mm ²)
Electrical Input Protection	According to MIL-STD-1275B
Electromagnetic Compatibility	EMI/RFI protected to EN61326-3 and EN61000-6-3
Electrical Interface	The detector includes twelve (12) terminals with five (5) wiring options (factory set)

OUTPUTS

Relays	Alarm, Fault and Auxiliary SPST volt-free contacts rated 5A at 30 VDC or 250 VAC.
0-20mA (stepped)	Sink (source option) configuration Fault: 0 +1mA Warning: 16mA \pm 5% BIT Fault: 2mA \pm 10% Alarm: 20mA \pm 5% Normal: 4mA \pm 10% Resistance Loop: 100-600 Ω
HART Protocol	Optional HART communications on the 0-20mA analog current (FSK) - used for maintenance, configuration changes and asset management, available in mA source output wiring options
RS-485	RS-485 Modbus compatible communication link that can be used in computer controlled installations

MECHANICAL SPECIFICATIONS

Materials	- Stainless Steel 316L with electro polish finish
Enclosure options	- Heavy duty copper free aluminum (less than 1%), red epoxy enamel finish
Mounting	Stainless Steel 316L with electro polish finish
Dimensions	Detector 4" x 4.6" x 6.18" (101.6 x 117 x 157 mm)
Weight	Detector (St.St.) 6.1 lb (2.8 kg) Tilt mount 2.2 lb (1.0 kg) Detector, aluminum 2.8 lb (1.3 kg)
Environmental Standards	Meets MIL-STD-810C for Humidity, Salt & Fog, Vibration, Mechanical Shock, High Temp, Low Temp
Water and Dust	IP66 and IP67 per EN60529, NEMA 250 6P

APPROVALS

Hazardous Area	ATEX and IECEx	Ex II 2 GD, Ex de IIC T5 (-55°C to +75°C) Ex tD A21 IP66/X7 T 95°C	Ex de IIC T4 (-55°C to +85°C) Ex tD A21 IP66/X7 T 105°C
	FM/FMC/CSA	Class I Div. 1, Groups B, C & D Class II/III Div. 1, Groups E, F & G	
Performance	EN54-10 (LPCB) FM-3260 (FM)		
Reliability	IEC61508 - SIL2 (TUV)		

ACCESSORIES

Fire Simulator	20/20-312	U-Bolt/Pole Mount	789260-2 (2" pole)	Mini Laptop Kit	777820	Laser Pointer	777166
Tilt Mount	40/40-001		789260-1 (3" pole)	Weather Protector	777163	(Detector area coverage)	
Duct Mount	777670	USB RS485 Harness Kit	794079-5	Air Shield	777161		