

# Smart Diffusion Oxygen & Toxic Gas Detector

## GTD-2000Tx

### Feature

- ▷ Continuous detection of toxic gases and oxygen in explosion hazardous area with flame proof structure
- ▷ Self diagnosis function with built-in Microprocessor
- ▷ Excellent selectivity by adapting detection principle only for toxic gases & oxygen
- ▷ Superior performance for detecting toxic gases below TLV
- ▷ Multi functions and high quality with low cost of ownership
- ▷ Built-in back light LCD or OLED display
- ▷ Easy configuration of monitoring system by HART communication
- ▷ Auto calibration and program setting with a magnet bar
- ▷ 4-20mA DC output signal
- ▷ With the alarm unit
  - Normal - Green LED
  - Alarm - Red LED, Buzzer (95 dB)
  - Trouble - Yellow LED
- ▷ Calibration and maintenance by one-man

### Special Application



Alarm Beacon Type



Insert type



# SIL2

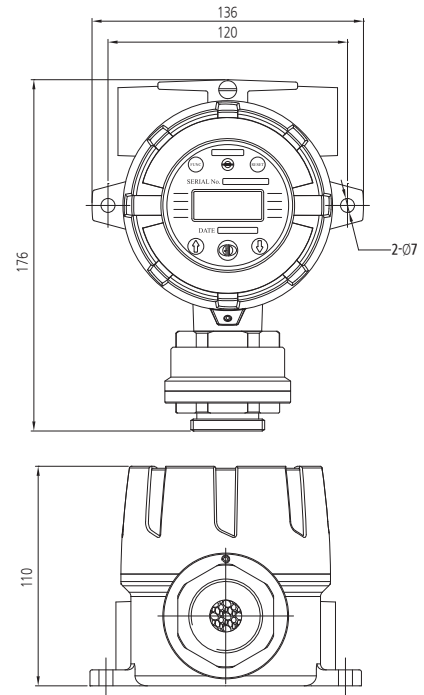
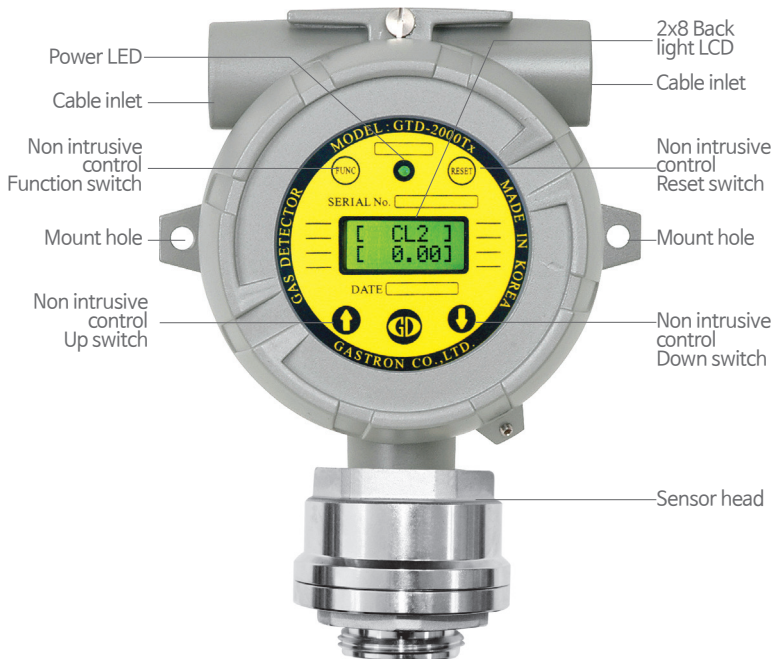
IEC 61508  
Safety Integrity Level

**HART**  
COMMUNICATION PROTOCOL



## General

## Dimension (Unit:mm)



## Accessories



## Specification

※Specifications are subject to be changed without prior notice.

SMART & LOCAL DISPLAY TYPE OXYGEN & TOXIC GAS DETECTOR	
Model	GTD-2000Tx
Measuring gas	O <sub>2</sub> / Toxic gases (CO, CL <sub>2</sub> , NH <sub>3</sub> & etc)
Measuring type	Diffusion type
Measuring method	Electrochemical cell, Semiconductor cell
Measuring range	Refer to Toxic Gas Measuring Range(176 page)
Response time	< 45 sec / 90% scale
Accuracy	±3% / Full scale
Parameter control	Non intrusive control with a Magnet bar (calibration, maintenance)
Operation mode display	1-LED (Power)
Measuring value display	LCD display (Built in back light 2-Line, 8 characters) / OLED Type (Option)
Output signal	Analog : Measuring signal : 4-20mA DC Maintenance signal : 3mA DC Calibration signal : 3mA DC Fault signal : 0mA DC Digital : 2mA (HART 7, HART Device Description Language available, Option)
Cable/Distance	Power + Signal cable : 3-wire >1.5sq (AWG16) / 2500m max
Material	Housing : ALDC, SUS316(Optional) / Sensor : SUS316
Conduit connection	G, Rc, NPT 1/2", 3/4" & M20 (G 3/4" : standard)
Mounting type	2" Pole mount, Wall mount, Duct mount
Operating temperature	-20°C ~ +60°C / -40°C ~ +80°C (Option)
Operating humidity	5 ~ 99%RH (non-condensing)
Operating power	18~31V DC (24V DC normal) / 200mA max
Dimensions	136 x 176 x 110 (WxHxD)mm
Weight	1.7kg
Approval	Explosion proof type (Ex d IIC T6) KCs / IP66/67 Explosion proof type (Ex d IIC Gb T4~T6) ATEX, IECEx Explosion proof type (Ex d IIC T6 Gb) NEPSI Marine : KR, MED, ABS, BV, DNV HART, SIL 2, UL, KC, CE