

Intelligent Diffusion Oxygen & Toxic Gas Detector

GTD-3000Tx

Feature

- ▷ Continuous detection of toxic gases and oxygen in explosion hazardous area with flame proof structure
- ▷ Self diagnosis function with built-in Microprocessor
- ▷ Excellent selectivity by adapting detection principle only for toxic gases & oxygen
- ▷ Stable quality and proved detection principle for service life
- ▷ Built-in back light LCD or OLED display
- ▷ Auto calibration and program setting with a magnet bar
- ▷ 2-stage alarm, 1-trouble display and relay contact output
- ▷ 4-20mA DC output signal
- ▷ Easy configuration of monitoring system by RS-485 Modbus isolated serial data communication (Option)
- ▷ With the alarm unit
 - Normal : Green LED
 - Alarm : Red LED, Buzzer (95 dB)
 - Trouble : Yellow LED
- ▷ Calibration and maintenance by one-man

Special Application



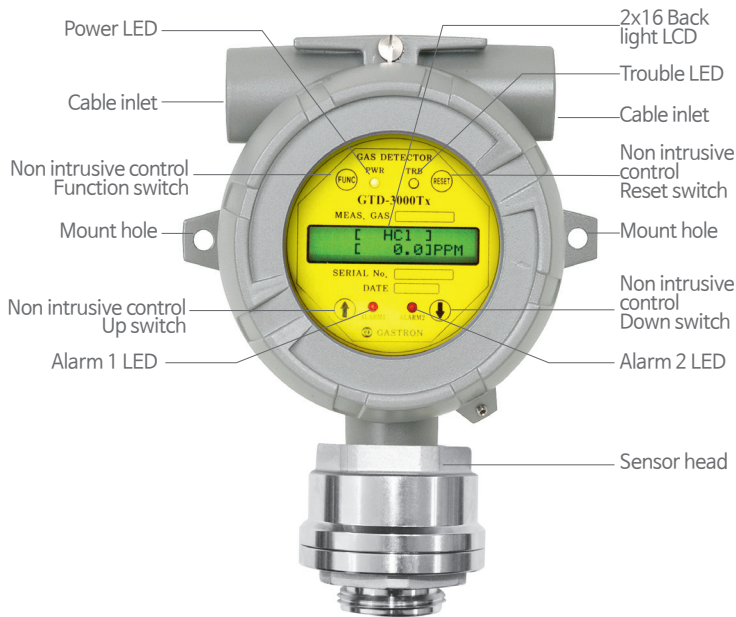
Alarm Beacon Type



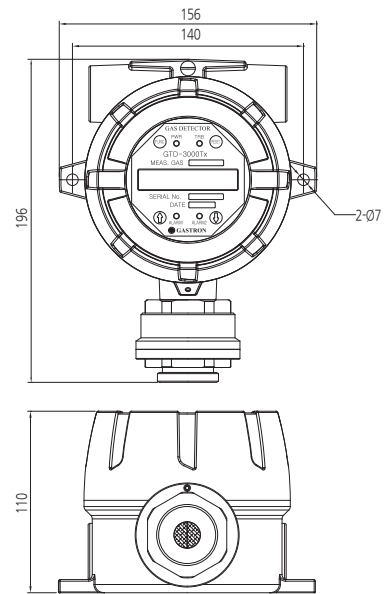
Insert type



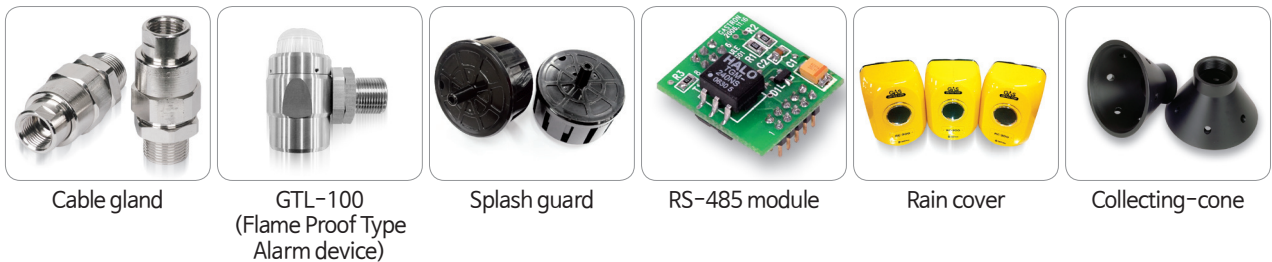
General



Dimension (Unit:mm)



Accessories



Specification

※Specifications are subject to be changed without prior notice.

| INTELLIGENT & LOCAL DISPLAY TYPE OXYGEN & TOXIC GAS DETECTOR | |
|--|---|
| Model | GTD-3000Tx |
| Measuring gas | O ₂ / Toxic gases (CO, CL ₂ , NH ₃ & etc) |
| Measuring type | Diffusion type |
| Measuring method | Electrochemical cell, Semiconductor cell |
| Measuring range | Refer to Toxic Gas Measuring Range(176 page) |
| Response time | < 45 sec / 90% scale |
| Accuracy | ±3% / Full scale |
| Parameter control | Non intrusive control with a Magnet (calibration, maintenance, alarm setting) |
| Operation mode display | 4-LED (Power, 2-stage alarm, 1-trouble) |
| Measuring value display | LCD display (Built in back light 2-Line, 16 characters) / OLED Type (Option) |
| Alarm signal output | 250V 1A / 3-SPST relay contact (2-stage alarm, 1-trouble) |
| Output signal | Analog : Measuring signal : 4-20mA DC Maintenance signal : 3mA DC Calibration signal : 3mA DC Fault signal : 0mA DC Digital : RS-485 Modbus(Optional) |
| Cable/Distance | Power + Signal cable : 3-wire >1.5sq (AWG16) / 2500m max RS-485 data communication cable : 1pair (UL2919 RS-485) / 1000m max |
| Conduit connection | G, Rc, NPT 1/2" & 3/4" (G 3/4" : standard) |
| Mounting type | 2" Pole mount, Wall mount, Duct mount |
| Operating temperature | -20°C ~ +60°C |
| Operating humidity | 5 ~ 99% RH (non-condensing) |
| Operating power | 18 ~ 31V DC (24V DC normal) / 200mA |
| Dimensions | 156 x 196 x 110 (W x H x D)mm |
| Weight | 2.0kg |
| Approval | Explosion proof type (Ex d IIC T6, IP65) KCs Explosion proof type (Ex d IIC T6 Gb) NEPSI CE (EN 50270:2006) KC |