

Globe Valves

Globe Valves - Classes 150, 300 & 600

Specifications

- Bolted Bonnet
- Out Side Screw & Yoke
- Full Port
- Flanged Ends or Buttweld Ends
- Operators : Handwheel, Hammer Blow Handwheel , Gear or Actuator

Basic Standards

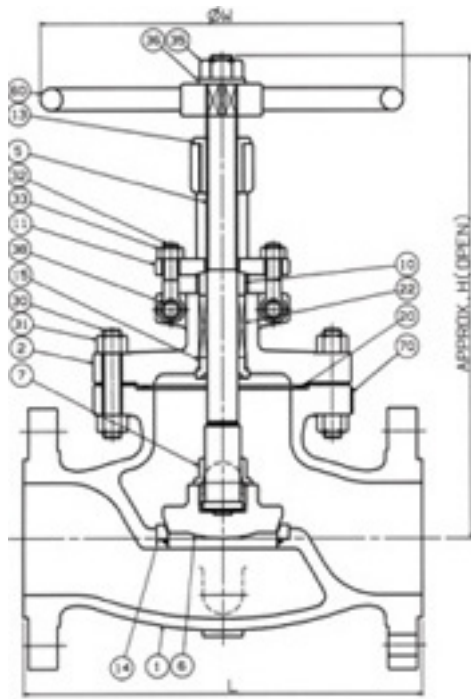
- Design : API 600
- Face to Face/End to End : ANSI B16.10
- Flange Dimensions : ANSI B16.5
- End Dimensions : ANSI B16.25
- Testing : API 598



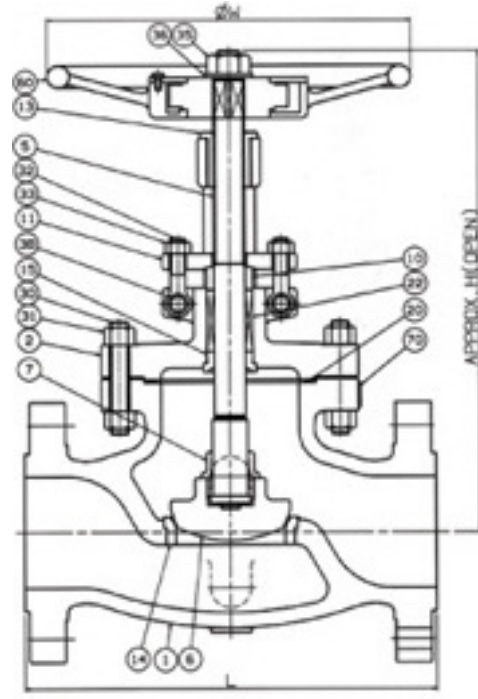
Standard Material Specifications

No	Part Name	Q' ty	ASTM Specifications (Soecs. - Grades/Types)				
1	Body	1	A216-WCB	A217-WC6	A352-LCB	A352-LC3	A217-WC1
2	Bonnet	1	A216-WCB	A217-WC6	A352-LCB	A352-LC3	A217-WC1
5	Stem	1	A276-410	A276-410	A276-304	A276-304	A276-410
6	Disc	1	A217-CA15	A217-CA15	A351-CF8	A351-CF8	A217-CA15
7	Disc Nut	1	A216-WCB	A217-WC6	A352-LCB	A352-LC3	A217-WC1
10	Gland	1	A276-410	A276-410	A276-304	A276-304	A276-410
11	Gland Flange	1	A216-WCB				
13	Sleeve	1	A439-D2C				
14	Seat Ring	1	A217-CA15	A217-CA15	A351-CF8	A351-CF8	A217-CA15
15	Neck Bush	1	A276-410				
20	Gasket	1	Spiral Wound W/Graphite				
22	Gland Packing	1set	Graphite + Carbon Fiber				
30	Bonnet Bolt	1set	A193-B7	A193-B7/B16	A193-B7	A193-B8	A193-B7/B16
31	Bonnet Bolt Nut	1set	A194-2H	A194-2H/4	A194-2H	A194-8	A194-2H/4
32	Gland Blot	2	A307-B				
33	Gland Blot Nut	2	A307-B				
35	Handwheel Nut	1	A194-8				
36	Hand Wheel Washer	1	A276-410				
38	Gland Blot Pin	2	A276-410				
60	Handwheel	1	A536				
70	Name Plate	1	A167-304				

Other materials are available upon request.



L1(BUTT WELDING)
CLASS 150 & 300



L1(BUTT WELDING)
CLASS 600

Dimensions

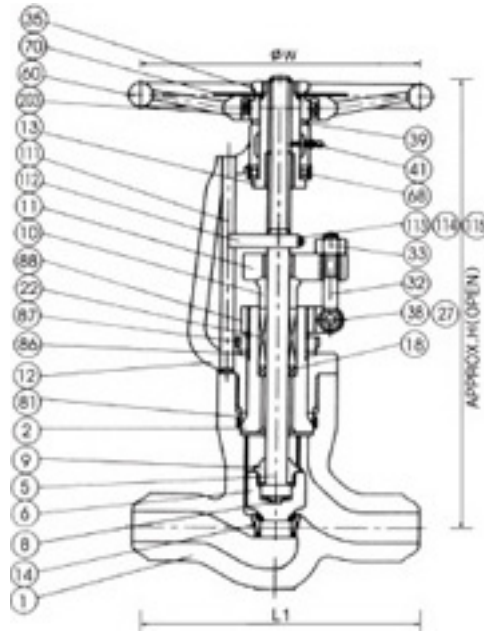
Unit : inch(mm)

NPS	Class 150				Class 300				Class 600			
	L	L1	H	ØW	L	L1	H	ØW	L	L1	H	ØW
2	8 (203)	8 (203)	12.2 (310)	7 (180)	10.5 (267)	10.5 (267)	14.17 (360)	9 (225)	11.5 (292)	11.5 (292)	18 (457)	10 (2580)
2-1/2	8.5 (216)	8.5 (216)	15.5 (395)	9 (225)	11.5 (292)	11.5 (292)	16.75 (425)	9 (225)	13 (330)	13 (330)	20.5 (523)	11.75 (300)
3	9.5 (241)	9.5 (241)	16.25 (415)	9 (225)	12.5 (318)	12.5 (318)	18.25 (465)	10 (250)	14 (356)	14 (356)	23.75 (603)	11.75 (300)
4	11.5 (292)	11.5 (292)	20 (505)	10 (250)	14 (356)	14 (356)	22.25 (565)	14 (355)	17 (432)	17 (432)	27 (686)	17.75 (450)
5	14 (356)	14 (356)	21.25 (540)	10 (250)	15.75 (400)	15.75 (400)	23 (585)	14 (355)	20 (508)	20 (508)	31.75 (807)	19.75 (500)
6	16 (406)	16 (406)	22.75 (580)	14 (355)	17.5 (444)	17.5 (444)	29.25 (740)	17.75 (450)	22 (559)	22 (559)	36.25 (920)	19.75 (500)
8	19.5 (495)	19.5 (495)	28.25 (715)	15.79 (400)	22 (559)	22 (559)	31.75 (805)	22 (560)	26 (660)	26 (660)	55 (1400)	23.5 (600)
10	24.5 (622)	24.5 (622)	28.75 (730)	17.75 (450)	24.5 (622)	24.5 (622)	38 (940)	23.5 (600)	31 (787)	31 (787)	62 (1575)	23.5 (600)
12	27.5 (698)	27.5 (698)	35 (890)	19.68 (500)	28 (711)	28 (711)	51.5 (1310)	23.5 (600)	33 (838)	33 (838)	80 (2035)	23.5 (600)

Globe Valves

Globe Valves - Classes 900, 1500 & 2500

Pressure Seal Bonnet



Unit : inch(mm)

NPS	Class 900			Class 1500			Class 2500		
	L1	H	ØW	L1	H	ØW	L1	H	ØW
2-1/2	8.5 (216)	26 (665)	12 (300)	13.39 (340)	29 (735)	16 (400)	16.54 (420)	34 (860)	20 (500)
3	10 (254)	28 (715)	10 (400)	15.39 (390)	33 (835)	20 (500)	18.5 (470)	37 (950)	24 (600)
4	12 (305)	33 (840)	11 (500)	18.9 (480)	37 (935)	24 (600)	22.44 (570)	43 (1090)	28 (700)
5	15 (381)	39 (995)							
6	18 (457)	44 (1115)	28 (700)	24.8 (630)	45 (1130)	30 (800)	29.92 (760)	55 (1400)	43 (1100)
8	23 (584)	52 (1330)	35 (900)	30.31 (770)	52 (1330)	35 (900)	35.04 (890)	62 (1570)	47 (1200)
10	28 (711)	62 (1565)	48 (1200)	36.61 (930)	56 (1430)	40 (1000)	42.91 (1090)	73 (1845)	47 (1200)
12	31.2 (813)	67 (1775)	48 (1200)	41.73 (1060)	66 (1675)	48 (1200)			
14	35 (889)	76 (1925)	55 (1400)						

Standard Material Specifications

No	Part Name	Q' ty	ASTM Specifications (Soecs. - Grades/Types)							
			A218	A217				A351		
			WCB	WC6	WC9	C5	C12	CF8	CF8M	
1	Body	1	A216 WCB	A217 WC6	A217 WC9	A217-C5	A217-C12	A351-CF8	A351-CF8M	
2	Bonnet	1	A105/ A16-WCB	A182-F11/ A217-WC9	A182-F22/ A217-WC9	A182-F5/ A217-C5	A182-F9/ A217-C12	A182-F304/ A351-CF8	A182-F318/ A351-CF8M	
5	Stem	1	A276-431							
6	Disc	1	A105/ A16-WCB	A182-F11/ A217-WC9	A182-F22/ A217-WC9	A182-F5/ A217-C5	A182-F9/ A217-C12	A182-F304/ A351-CF8	A182-F318/ A351-CF8M	
8	Disc Thrust Plate	1	A193-B7					A584-630		
9	Disc Nut	1	A276-410							
10	Gland	1	JIS C6782	A276-410						
11	Gland Flange	1	A105							
12	Yoke	1	A105/ A216-WCB	A182-F11/ A217-WC9	A182-F22/ A217-WC9	A182-F5/ A217-C5	A182-F9/ A217-C12	A182-F304/ A351-CF8	A182-F318/ A351-CF8M	
13	Sleeve	1	JIS C6782							
14	Seat Ring	1	A105/ A216-WCB	A182-F11/ A217-WC5	A182-F22/ A217-WC9	A182-F5/ A217-C5	A182-F9/ A351-CF8	A182-F304/ A351-CF8	A182-F317/ A351-CF8M	
18	Packing Washer	1	A276-410							
22	Gland Packing	1set	Graphite + Carbon Fiber							
27	Retainer Ring	4	A686-W1							
32	Gland Blot	2	A276-410							
33	Gland Blot Nut	2	A194-2H							
35	Handwheel Nut	1	A108-1020							
38	Gland Blot Pin	2	A276-410							
39	Sleeve Washer	1	JIS C6782							
41	Grease Nipple	1	Steel							
60	Handwheel	1	A536							
68	Thrust Ball Bearing	1set	Steel							
70	Name Plate	1	AISI 304							
81	Seal Ring	1	Soft Steel					A182-F316L		
86	Clamp Washer	1	A108-1045							
87	Bonnet Clamp	1	A105/A216-WCB							
88	Gland Bolt Clamp	1	A216-WCB							
111	Gland Bar	1	A276-304							
112	Gland Plate	1set	A108-1020							
113	Gland Plate Pin	1	A108-1045							
114	Gland Plate Bolt	2	A108-1020							
115	Gland Plate Bolt Nut	2	A108-1020							
203	Impact Boss	1	A105							

- Used above 540°C(1000°F)
- Other materials are available upon request.