

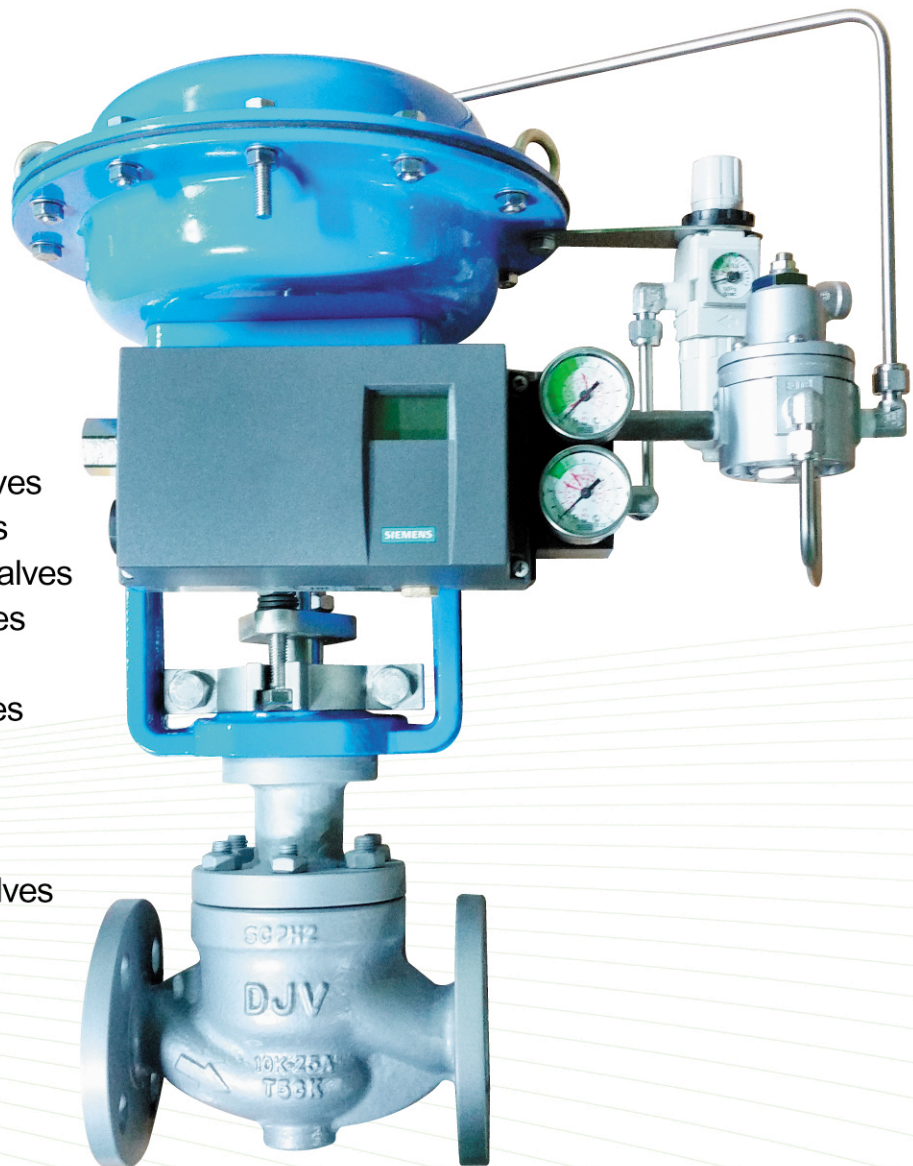
MAX-SEAL

High Performance DJ Series

The Best Quality System

I-Tems

- *Pneumatic Globe Valves
- *Pneumatic Ball Valves
- *Pneumatic Butterfly Valves
- *Pneumatic Gate Valves
- *Electric Globe Valves
- *Electric Butterfly Valves
- *Electric Ball Valves
- *Electric Gate Valves
- *Auto 3-way Valves
- *Auto Forged Steel Valves
- *Auto PVC Valves
- *Check Valves
- *Strainers
- *Special Valves





↓ GREETINGS

최고의 품질로 신뢰받는 밸브 전문 제조 기업

앞서 개발하고 빠르게 생산하여 고객이 신뢰하는 기업이 되도록 노력하겠습니다.

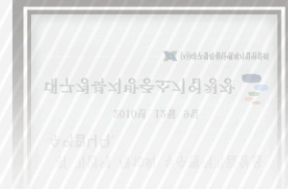
(주)대정밸브는 1987년 설립 된 후 앞선 기술력과 최고의 품질로 신뢰받는 밸브 전문 제조 업체로 성장하였습니다.

당사의 제품들은 국내 및 국제 규격 **KS, KC, ISO, API, CE** 등을 획득하여 고객사에 보다 나은 제품을 공급하기 위해 항상 최선을 다하고 있습니다.

그 결과 **MAX-SEAL HIGH PERFORMANCE BUTTERFLY VALVES(MS-SERIES) & HIGH-TECH SEAL RESILIENT SEATED BUTTERFLY VALVES(HS-SERIES)** 등은 국내 최고의 품질을 확보하였으며, 더불어 세계 약 30여국에 **"MAX-SEAL" "HIGH-TECH SEAL"** 이라는 독자브랜드로 수출을 하고 있습니다.

지속적인 연구개발과 적극적인 시장 개척으로 세계에서 인정받는 기업!
항상 고객과 함께하는 대정밸브가 될 수 있도록 노력하겠습니다.

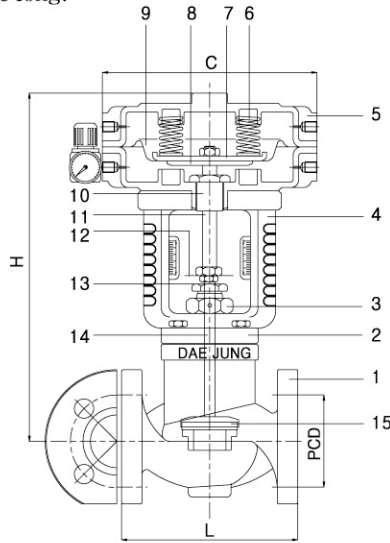
주식회사 대정밸브 대표이사



DIAPHRAGM CONTROL VALVES. Model : DJD Gold 5000

Features

By adapting Spring with compound structure, we improved elasticity, airtightness and durability, reduce the use of assistant valve, And no vibration of piping makes its life be long.



Parts Material

- | | |
|----------------------------|------------|
| 1. Valve Body | FC20,SCS13 |
| 2. Bonnet | SCS13 |
| 3. Lock Nut | SCS13 |
| 4. Bonnet | AL Alloy |
| 5. diaphragm Cover | AL Alloy |
| 6. Spring | SWP |
| 7. Spring Bottom Cover | SS41 |
| 8. Diaphragm Bottom Washer | STS304 |
| 9. Diaphragm Packing | NBR*Nylon |
| 10. O-Ring Bolt | BRONZE |
| 11. Stem-1 | STS304 |
| 12. Indicate | STS304 |
| 13. Press Bolt | BRONZE |
| 14. Stem-2 | STS304 |
| 15. Seat Teflon | Class 15% |

Dimension

Unit:mm

SIZE		C	L	H	PCD	WEIGHT (kg)
mm	inch					
15A	1/2"	180	160	390	70	14
20A	3/4"	180	160	390	75	15
25A	1"	180	160	410	90	15.5
32A	1 1/4"	260	190	430	100	16
40A	1 1/2"	260	190	430	105	17
50A	2"	260	220,190	450	120	18
65A	2 1/2"	260	230	470	140	22
80A	3"	260	255	510	150	28

Specification

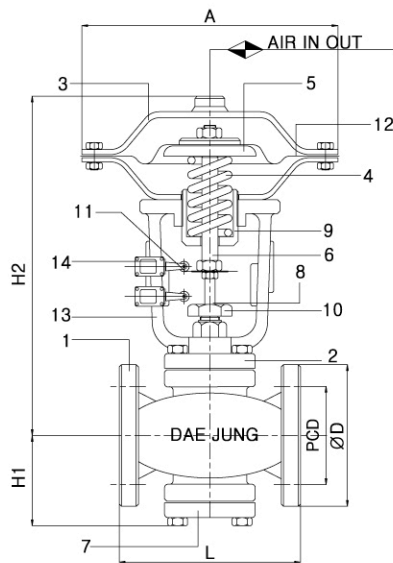
- Fluid applied : Water, Air, Gas, Oil, Steam
- Temperature applied : Under 200 °c
- Ambient temperature : -10 — 80 °c
- Body :
 - Standard Pressure : 10kgf/cm²
 - Material : Body : FC20,SCS13
 - Waist : STS304

- Valve : Opened, when air Pressure is applied
- Inner pressure test : Water Pressure 16kgf/cm²
- Operational Part :
 - Operational method : return system of double spring
 - Material : ADC12
 - Diaphragm : N,B,R+Nylon+2P
 - Air Pressure During operation : 2.5 — 4kgf/cm²

DIAPHRAGM CONTROL VALVES. Model : DJD111

Features

Its operation is quiet, correct control of fluid is possible and durability is excellent.



DESCRIPTION

- | | |
|-----------------------|-----------------|
| 1. Body | FC20 |
| 2. Bonnet | SCS13 |
| 3. Spring | SPS 7.5*51*95*7 |
| 4. Diaphragm Cover | SS41 |
| 5. Diaphragm Cover | SS41 |
| 6. Shaft | STS304 |
| 7. Bottom Cover | FC20 |
| 8. Stem | STS304 |
| 9. Spring Housing | FCD45 |
| 10. Press Bolt | Bronze |
| 11. Indicate | STS304 |
| 12. Diaphragm Packing | N,B,R+Nylon |
| 13. Bracket | LA ALLOY |
| 14. Limit S/W | |

Dimension

Unit:mm

SIZE		A	L	PCD	D	H1	H2	Weight (kg)
mm	inch							
15A	1/2"	240	160	70	95	85	450	13
20A	3/4"		160	75	100	85	450	14
25A	1"		160	90	125	85	450	16
32A	1 1/4"	285	190	100	135	95	520	17
40A	1 1/2"		190	105	140	95	520	18
50A	2"		190,220	120	155	120	530	21
65A	2 1/2"		220,230	140	175	130	550	23

Specification

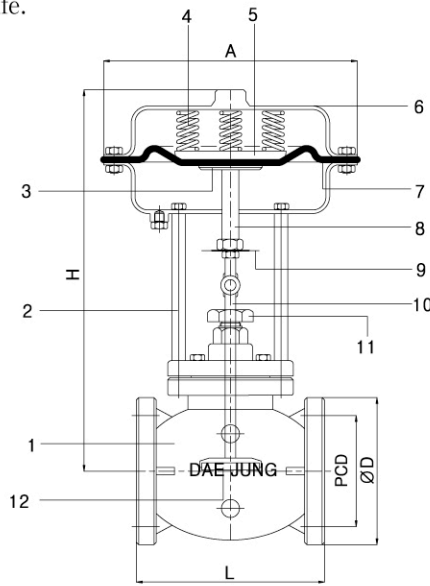
- Fluid applied : Water, Air, Gas, oil, Steam
- Temperature applied : Under 200 °c
- Ambient temperature : -10 — 80 °c
- Body :
 - Standard Pressure : 10kgf/cm²
 - Material : Body : FC20
 - Waist : STS304

- Valve : Opened, when air Pressure is applied
- Inner pressure test : Water Pressure 16kgf/cm²
- Operational Part :
 - Operational Method : return system of single spring
 - Material : SS41
 - Diaphragm : N,B,R+Nylon
 - Air Pressure During operation : 2.5 — 4kgf/cm²

DIAPHRAGM CONTROL VALVES. Model:DJD113

Features

Because of its material of ALL STAINLESS, it is used for corrosive or chemical fluid and has long life.



Part name & Material

- | | |
|--------------------------|--------------|
| 1. Body | SCS13, SCS14 |
| 2. Bracket | STS304 |
| 3. Diaphragm bottom wash | SCS13 |
| 4. Spring | SWP |
| 5. Spring bottom wash | SCS13 |
| 6. Diaphragm cover | STS304 |
| 7. Diaphragm packing | NYLON+NBR |
| 8. Stem-1 | STS304 |
| 9. Indicate | STS304 |
| 10. Stem-2 | STS304 |
| 11. Press bolt | BRONZE |
| 12. Seat | PTFE |

Dimension

Unit:mm

SIZE		A	L	H	PCD	D	Weight (kg)
mm	inch						
15A	1/2"	240	160	460	70	95	13
20A	3/4"	240	160	460	75	100	14
25A	1"	240	160	460	90	125	16
32A	1 1/4"	285	190	520	100	135	17.5
40A	1 1/2"	285	190	520	105	140	19
50A	2"	285	220	530	120	150	22
65A	2 1/2"	285	230	550	140	175	24

Specification

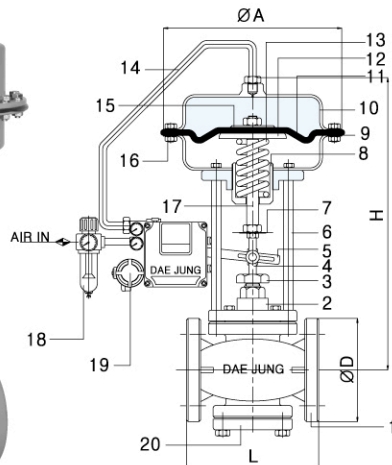
- Fluid applied : Water, Air, Gas, Oil, Steam
- Temperature applied : Under 200 °c
- Ambient temperature : -10 — 80 °c
- Body :
 - Standard Pressure : 10kgf/cm²
 - Material : Body : FC20, SCS13
 - Waist : STS304

- Valve : Opened, when air Pressure is applied
- Inner pressure test : Water Pressure 16kgf/cm²
- Operational Part :
 - Operational method : return system of double spring
 - Material : ADC12
 - Diaphragm : N,B,R+Nylon
 - Air Pressure During operation : 2.5 — 4kgf/cm²

DIAPHRAGM MODULATING CONTROL VALVES. Model:DJD117

Features

As it is Positioner-attached type, it is widely used for controlling the volume of fluid.



Part name & Material

- | | |
|-----------------------|-------------|
| 20. Bottom Cover | FC20 |
| 19. E/P Positioner | SMC |
| 18. Air Filter | |
| 17. Shaft | STS304 |
| 16. Cover Bolt | STS304 |
| 15. Wash | SS41 |
| 14. AIR Hose | |
| 13. Spring | SHW3 |
| 12. Dai Bottom cover | SS41 |
| 11. Diaphragm Packing | N,B,R+Nylon |
| 10. Bottom Cover | STS304 |
| 9. Diaphragm Cover(I) | SS41 |
| 8. Spring Housing | FCD45 |
| 7. Yoke | STS304 |
| 6. Bracket | STS304 |
| 5. Lever | STS304 |
| 4. Stem | STS304 |
| 3. Press Bolt | BRONZE |
| 2. Bonnet | SS41 |
| 1. Valve Body | FC20 |

Dimension

Unit:mm

SIZE		A	L	D	H	Weight (kg)
mm	inch					
15A	1/2"	280	160	95	545	16
20A	3/4"	280	160	100	545	17
25A	1"	280	190	125	545	18
32A	1 1/4"	280	190	135	560	22
40A	1 1/2"	280	190	140	560	24
50A	2"	280	203	155	580	29
65A	2 1/2"	280	216	175	600	35
80A	3"	360	242	185	620	58
100A	4"	390	292	210	680	72

※ Intellectual Property resulting from Joint Research and Development of KOTMI & DJV, <Model:DJD117> products has been involved with the performance of the research project work 2010.

Specification

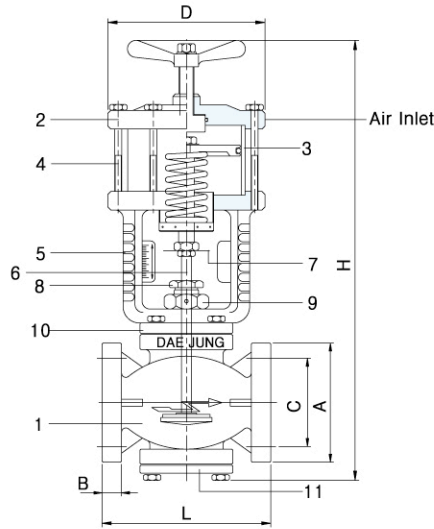
- Fluid applied : Water, Air, Oil Steam
- Temperature applied : Under 350 °c
- Ambient temperature : -10 — 80 °c
- Body :
 - Standard Pressure : 10kgf/cm²
 - Material : Body : FC20,SCS13
 - Waist : STS304

- Valve : opened, when air Pressure is applied
- Inner pressure test : Water Pressure 16kgf/cm²
- Operational Part :
 - Operational method : return system of single spring
 - Material : SS41
 - Diaphragm : N,B,R+Nylon
 - Air Pressure During operation : 2 — 4kgf/cm²

CYLINDER CONTROL VALVES. Model:DJH3001

Features

It as a Piston type has strong durability and is used for various fluids due to its perfect operation. By Handle-attaching type, it can be used manually or automatically.



Part name & material

- | | |
|-------------------|-----------------|
| 1. Valve Body | SCS13, FC20 |
| 2. Cylinder Cover | SCS13 |
| 3. Cylinder | STS304 |
| 4. Bolt,Nut | SCM3 |
| 5. Bracket | SCS13, AL ALLOY |
| 6. Spindle | STS304 |
| 7. Indicator | STS304 |
| 8. Packing Grand | Bronze |
| 9. Nut | SCS13 |
| 10. Bonnet | SCS13 |
| 11. Bottom Cover | SCS13, FC20 |

Dimension

Unit:mm

SIZE		D	H	L	C	A	B	WEIGHT (kg)
mm	inch							
15A	1/2"	100	430	160	70	95	12	17
20A	3/4"	100	430	160	75	100	14	18
25A	1"	100	450	160	90	125	14	19
32A	1 1/4"	125	470	190	100	135	16	20
40A	1 1/2"	125	470	190	105	140	16	21
50A	2"	125	470	220	120	155	16	24
65A	2 1/2"	140	480	230	140	175	18	28
80A	3"	150	570	255	150	185	18	47

Specification

- Fluid applied : Water, Air, Gas, Oil, Steam
- Temperature applied : Under 200 °c
- Ambient temperature : -10 — 80 °c
- Body :
Standard Pressure : 10kgf/cm²
Material : Body : FC20, SCS13
Waist : STS304

- Valve : Opened, when air Pressure is applied
- Inner pressure test : Water Pressure 16kgf/cm²
- Operational Part :
Operational method : return system of single spring
Material
Cylinder tube AL6063TDS
Air Pressure During operation : 3 — 5kgf/cm²

PNEUMATIC CYLINDER VALVES. Model:DJSSY1, DJSST2



DJSSY1



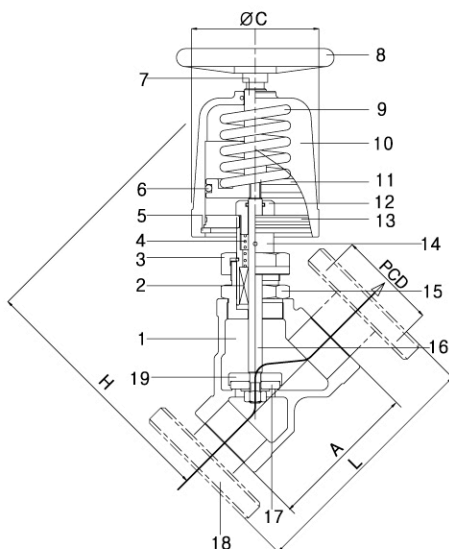
DJSSY1-F



DJSSY1-H



DJSST2



Parts Material

- | | |
|--------------------|-----------|
| 1. Body | SCS14 |
| 2. V-Packing | Teflon |
| 3. Nut | SCS13 |
| 4. Pressure Spring | STS304 |
| 5. Snapping | |
| 6. O-Ring | NBR |
| 7. Indicate | Bronze |
| 8. Handwheel | FC20 |
| 9. Spring | S,W,P |
| 10. Cylinder Cap | SCS14 |
| 11. Piston | AL Alloy |
| 12. Press Bolt | Bronze |
| 13. Bottom Cover | SCS13 |
| 14. Guide | STS304 |
| 15. Bolt Housing | SCS13 |
| 16. Stem | STS304 |
| 17. Seat | Class 15% |
| 18. Flange | STS304 |

Features

Its small and light weight, these is suitable for complicate places where the machine are located on the upper part of workshop and pipe line is installed on the lower part.

Dimension

Unit:mm

SIZE		DJSSY1			Weight (kg)	DJSSY1-F		Weight (kg)	use
inch	mm	A	H	C		L	PCD		
1/2"	15A	74	170	70	1.9	110,180	70	3.4	Water steam air oil
3/4"	20A	95	185	80	2.6	170	75	4.1	
1"	25A	95	185	80	2.5	170	90	4	
1 1/4"	32A	110	200	105	4.9	215	100	6.8	
1 1/2"	40A	110	200	105	5.1	215	105	7.1	
2"	50A	185	280	145	7.3	200,220	120	9.3	
2 1/2"	65A	195	280	145	8	230	140	10.7	
3"	80A					230	140	11.5	

SIZE		DJSST2		Weight (kg)	use	Applicable Flange
inch	mm	H	L			
1/2"	15A	250	105	3.0	water steam air, oil	JIS5K 15A
3/4"	20A					
1"	25A					

AUTOMATIC DRAIN AND FEED VALVES. Model:DJWD1. DJWD2

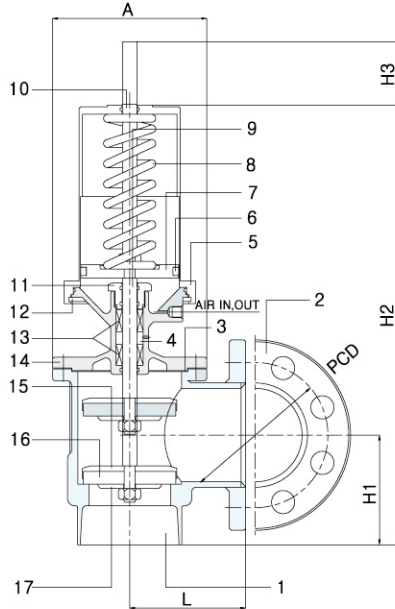
DJWD1



Features

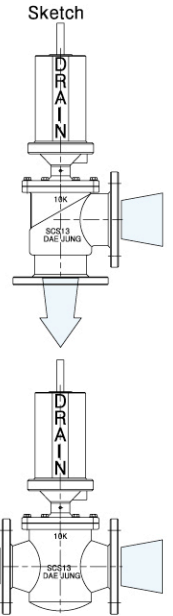
Even under any bad conditions, its operation is smooth. As a canning valve, it is light and has permanent life due to strong durability.

DJWD2



Part name & material

- 1. Valve Body _____ SCS13
- 2. Flange _____ STS304
- 3. Bonnet _____ SCS13
- 4. Spring _____ STS304
- 5. Cylinder cap _____ STS304
- 6. O-Ring _____ NBR
- 7. Piston _____ MC
- 8. Spring _____ SWP
- 9. Stem _____ STS304
- 10. Indicate _____ Acetal
- 11. Press Bolt _____ Bronze
- 12. Snapping
- 13. V-Packing _____ Teflon
- 14. Gasket _____ Teflon
- 15. Seat Housing _____ SCS13
- 16. Seat _____ EPDM
- 17. WASHER _____ STS304



Dimension

Unit:mm

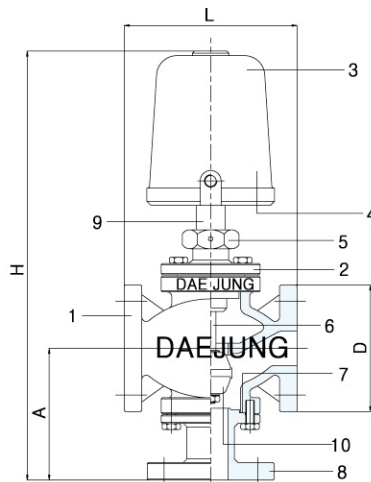
SIZE	A	L	H1	H2	H3	PCD	Weight	
2"	50A	160	120	70	450	30	120	7
2 1/2"	65A	160	124	75	450	30	140	9
3"	80A	230	150	160	575	45	150	11
4"	100A	165	127	110	495	65	175	13
5"	125A	195	160	170	650	70	210	15
6"	150A	210	175	190	680	70	240	17

AUTOMATIC 3-WAY CYLINDER VALVES. Model:DJH212

Features

It is used by mixed type and separated type according to control purpose and its standard is double-acting type, but even single-acting type can be used.

Attachment and treatment are easy and Indicator on upper part of valve indicates fluid's direction of valve.



Parts Material

- 1. Valve Body _____ SCS13, FC20
- 2. Bonnet _____ SCS13
- 3. Cylinder Cap _____ SCS13.AL
- 4. Piston _____ AL
- 5. Bolt _____ SCS13
- 6. Shaft _____ STS304
- 7. Gasket _____ TEFLON
- 8. Flange _____ STS304
- 9. Guide _____ STS304
- 10. Seat _____ TEFLON or METAL

Dimension

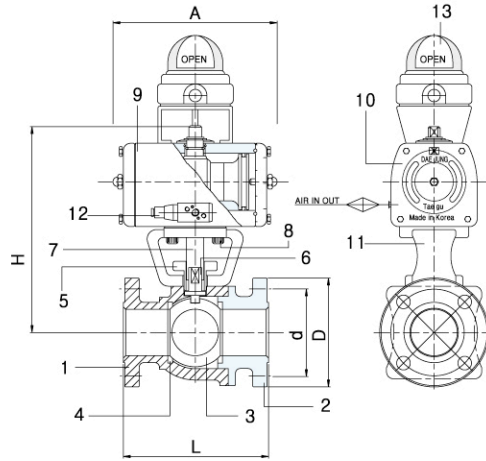
Unit:mm

SIZE		A	D	H	L	WEIGHT (kg)	USE
inch	mm						
1/2"	15A	120	95	420	160	14	water stem oil
3/4"	20A	120	100	420	160	14	
1	25A	120	125	420	160	16	
1 1/4"	32A	135	135	450	190	18	
1 1/2"	40A	135	140	450	190	18	
2"	50A	140	155	480	220	23	
2 1/2"	65A	145	175	510	230	23	
3"	80A	150	185	540	255	38	
4"	100A	180	210	580	290	49	
5"	125A	190	250	620	355	62	
6"	150A	200	280	700	405	76	

PNEUMATIC 2-WAY BALL VALVES. Model:DJR-2



Double-Action



Material Specification

- 13. Limit S/W _____ SCS13
- 12. Master Valve _____ AL ALLOY
- 11. Bracket _____ STS304
- 10. Actuator Cover _____ AL ALLOY
- 9. Actuator Body _____ AL ALLOY
- 8. Bolt _____ STS304
- 7. Socket _____ SCS14
- 6. Steam _____ SCS304
- 5. Pinion _____ SCS13
- 4. Seat _____ TEFLON
- 3. Ball _____ STS304
- 2. Body Cap _____ SCS13
- 1. Valve Body _____ SCS13

Dimension

NORMAL SIZE(INCHES)		Unit:mm				
		A	H	d(φ)	D(φ)	L
15A	1/2"	130	180	70	95	108
20A	3/4"	170	190	75	100	117
25A	1"	170	195	90	125	127
32A	1 1/4"	170	200	100	135	140
40A	1 1/2"	188	250	105	140	165
50A	2"	188	270	120	155	178
65A	2 1/2"	240	320	140	175	190
80A	3"	240	385	150	185	203
100A	4"	288	410	175	210	229
125A	5"	332	430	210	250	356
150A	6"	332	460	240	280	394
200A	8"	457	550	290	330	457
250A	10"	545	600	355	400	533
300A	12"	545	640	400	445	610

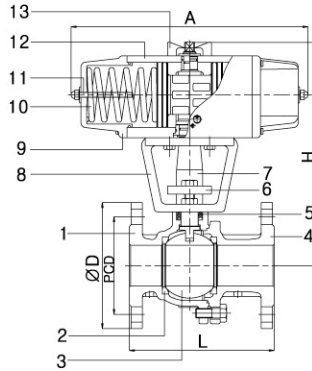
PNEUMATIC 2-WAY BALL VALVES. Model:DJSR-2

Part Name & Material

- 1. Valve Body _____ SCS13
- 2. Seat _____ PTFE,RTFE,METAL
- 3. Ball _____ SCS13
- 4. Body Cap _____ SCS13
- 5. Gland Packing _____ PTFE
- 6. Gland _____ SCS13
- 7. Socket _____ SCS13
- 8. Bracket _____ SCS13
- 9. Act "S" Cover _____ ADC12
- 10. Spring _____ HWP
- 11. Adjust Bolt _____ STS304
- 12. Act" Body _____ AL-ALLOY
- 13. Indicate _____ PP

Dimension

NORMAL SIZE(INCHES)		Unit:mm				
		A	H	PCD(φ)	D(φ)	L
15A	1/2"	170	180	70	95	108
20A	3/4"	170	190	75	100	117
25A	1"	180	210	90	125	127
32A	1 1/4"	210	220	100	135	140
40A	1 1/2"	230	240	105	140	165
50A	2"	250	270	120	155	178
65A	2 1/2"	320	330	140	175	190
80A	3"	350	390	150	185	203
100A	4"	430	430	175	210	229
125A	5"	470	520	210	250	356
150A	6"	500	630	240	280	394
200A	8"	1100	750	290	330	457
250A	10"	2600	880	355	400	533
300A	12"	3800	1020	400	445	610



Specification

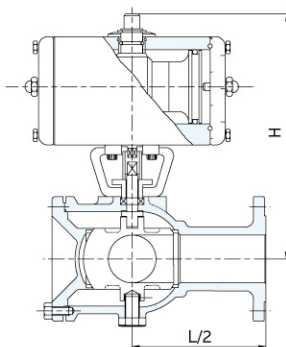
- Body Material : SCPH2, SCS13, SCS14, SCS16
- Pressure Raeting : JIS10K, 20K, ANSI-150#, 300#
- Action : ON-OFF, CONTROL(Modulating)
- FAIL POSITION : OPEN, CLOSE

- Air Supply : 5 - 7 kgf/cm
- Accessory : Sol, Limit, Air-Set, Positioner, Speed Control
- Fluid applied : Water, Air, Gas, Oil
- Temperature applied : Under 140°C
- Ambient temperature : -10 - 80°C

PNEUMATIC 3-WAY BALL VALVES. Model:DJR-3



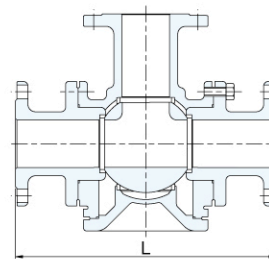
Operation Form



Dae Jung 3-Way Ball Valves

Dimension

		Unit:mm											
Nominal Size	(inches)	15	20	25	32	40	50	65	80	100	125	150	200
		L	H	H	H	H	H	H	H	H	H	H	H
JIS 10kgf/cm ²	L	160	160	200	240	240	260	320	360	430	500	510	640
& H	H	140	140	143	155	160	170	310	385	450	520	600	415
ANSI 150 lb/in	W	170	170	190	190	190	240	240	290	332	457	457	546



3-WAY BALL VALVE (T,L PORT)

Accessory

- E/p,P/P Positioner
- Limit switches
- Solenoid valve
- Speed control
- Air unit

Specification

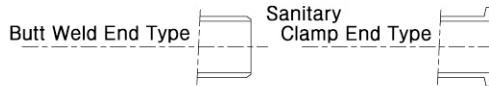
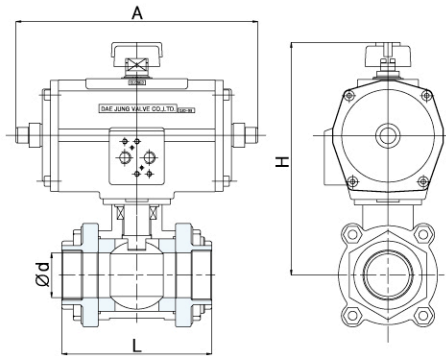
- Body Material : SCS13, SCS14, SCS16
- Pressure Raeting : JIS10K, 20K, ANSI-150#, 300#
- Fluid applied : Water, Air, Gas, Oil
- Air Supply : 5 - 7 kgf/cm
- Accessory : Sol, Limit, Air-Set, Speed Control

PNEUMATIC 2-WAY BALL VALVES. Model:DJR-2(S)



Double-Action

2-WAY BALL VALVE (SCREW)



Dimension

Unit:mm

Nominal SIZE (inches)	L	A	d	H
10A 3/8"	64	134	12,5	125
15A 1/2"	64	134	15	125
20A 3/4"	73	134	20	135
25A 1"	81	165	25	160
32A 1 3/4"	95	195	32	175
40A 1 1/2"	108	195	38	190
50A 2"	122	225	50	210
65A 2 1/2"	158	230	65	250
80A 3"	190	275	80	275
100A 4"	225	300	100	320

Specification

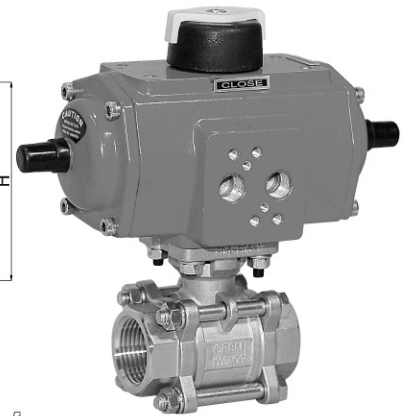
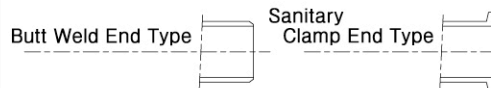
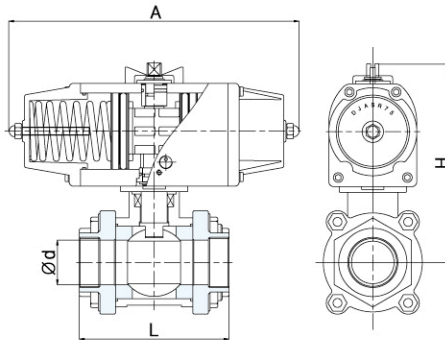
- Material Body : SCS14
- Ball : SCS14
- Seat : PTFE
- Max Pressure : 10 — 40 Kg/cm
- Fluid applied : Water, Air, Gas, Oil
- Temperature applied : Under 140°C
- Ambient temperature : -10 — 80°C
- Accessory : Sol, Limit, Air-Set, Positioner, Speed Control

PNEUMATIC 2-WAY BALL VALVES. Model:DJSR-2(S)

Dimension

Unit:mm

Nominal SIZE (inches)	L	A	d	H
10A 3/8"	64	194	12,5	145
15A 1/2"	64	194	15	145
20A 3/4"	73	194	20	145
25A 1"	81	221	25	175
32A 1 3/4"	95	256	32	205
40A 1 1/2"	108	277	38	225
50A 2"	122	277	50	240
65A 2 1/2"	158	332	65	290
80A 3"	190	376	80	330
100A 4"	225	434	100	370



Single-Action

2-WAY BALL VALVE (SCREW)

Specification

- Material Body : SCS14
- Ball : SCS14
- Seat : PTFE
- Max Pressure : 10 — 40 Kg/cm
- Fluid applied : Water, Air, Gas, Oil
- Temperature applied : Under 140°C
- Ambient temperature : -10 — 80°C
- Accessory : Sol, Limit, Air-Set, Positioner, Speed Control
- FAIL POSITION : OPEN, CLOSE

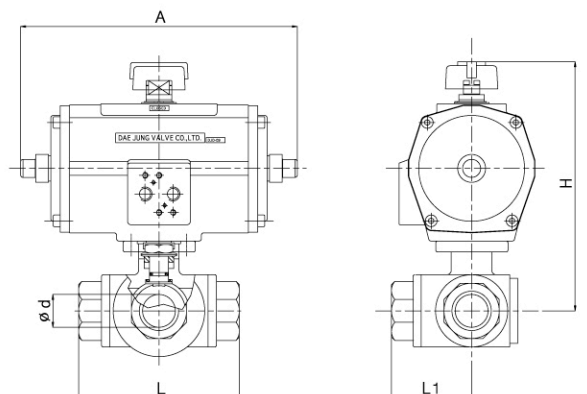
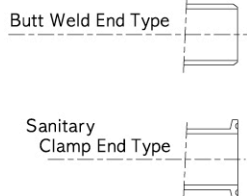
PNEUMATIC 3-WAY BALL VALVES. Model:DJR-3(S)



3-WAY BALL VALVE (SCREW)
(T,L PORT)

Accessory

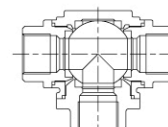
- E/p,P/P Positioner
- Limit switches
- Solenoid valve
- Speed control
- Air unit



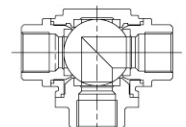
Dimension

Unit:mm

Nominal SIZE (inches)	L	A	d	H	L1
10A	72	134	11	145	36
15A 1/2"	72	165	11	175	36
20A 3/4"	83	165	15	175	42
25A 1"	99	195	20	205	50
32A 1 3/4"	112	225	25	225	56
40A 1 1/2"	125	230	32	240	63
50A 2"	149	275	38	290	75



T-Port



L-Port

Specification

- Material Body : SCS14
- Ball : SCS14
- Seat : PTFE
- Max Pressure : 10 — 40 Kg/cm
- Fluid applied : Water, Air, Gas, Oil
- Temperature applied : Under 140°C

ELECTRIC 2-WAY BALL VALVES. Model:DJER-2



Double-Action

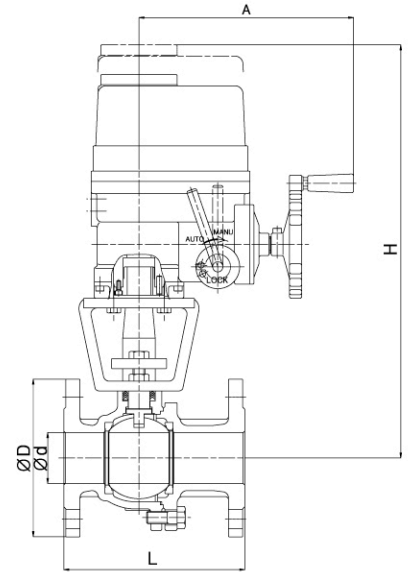
Specification

- Body Material : SCPH2, SCS13, SCS14, SCS16
- Pressure Raeting : JIS10K, 20K, ANSI-150#, 300#
- Action : ON-OFF, CONTROL(Modulating)
- Fluid applied : Water, Air, Gas, Oil
- Temperature applied : Under 140℃
- Ambient temperature : -10 — 80℃

Dimension

Unit:mm

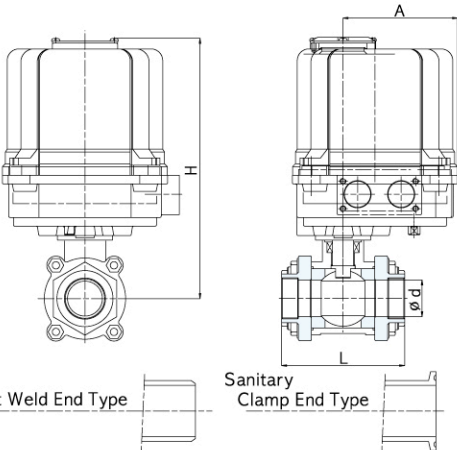
Nominal SIZE (inches)	L	D	d	A	H
15A 1/2"	108	∅ 95	15	85	230
20A 3/7"	117	∅ 100	20	85	230
25A 1"	127	∅ 125	25	110	230
32A 1 1/4"	140	∅ 135	32	110	460
40A 1 1/2"	165	∅ 140	40	260	460
50A 2"	178	∅ 155	50	260	480
65A 2 1/2"	190	∅ 175	65	340	530
80A 3"	203	∅ 185	80	340	580
100A 4"	229	∅ 210	100	340	640
125A 5"	356	∅ 250	125	360	720
150A 6"	394	∅ 280	150	360	780
200A 8"	457	∅ 330	200	380	830
250A 10"	533	∅ 400	250	380	880
300A 12"	610	∅ 445	300	380	1050



Motor Specifications

- Power voltages : DC24V/110/220/380/440V
- Manual override
- Torque switches
- Indication switches
- Rotation angle : 90 ± 10
- Space heater

ELECTRIC 2-WAY BALL VALVES. Model:DJER-2(S)



Dimension

Unit:mm

Nominal SIZE (inches)	L	A	d	H
10A 3/8"	64	85	12.5	170
15A 1/2"	64	85	15	170
20A 3/4"	73	85	20	170
25A 1"	81	110	25	180
32A 1 3/4"	95	110	32	280
40A 1 1/2"	108	260	38	290
50A 2"	122	260	50	300
65A 2 1/2"	158	340	65	340
80A 3"	190	340	80	360
100A 4"	225	340	100	380

Motor Specifications.

- Power voltages : DC24V/110/220/380/440V
- Manual override
- Torque switches
- Indication switches
- Rotation angle : 90 ± 10
- Space heater



ELECTRIC 3-WAY BALL VALVES. Model:DJER-3



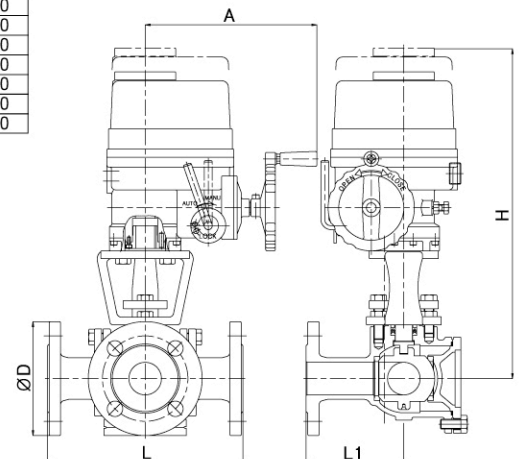
Dimension

Unit:mm

Nominal SIZE (inches)	L	D	d	A	H
15A 1/2"	160	95	15	110	230
20A 3/4"	160	100	20	110	230
25A 1"	200	125	25	110	230
32A 1 1/4"	240	135	32	210	460
40A 1 1/2"	240	140	40	210	460
50A 2"	260	155	50	210	480
65A 2 1/2"	320	175	65	300	530
80A 3"	360	185	80	300	580
100A 4"	430	210	100	300	640
125A 5"	510	250	125	320	720
150A 6"	610	280	150	320	780

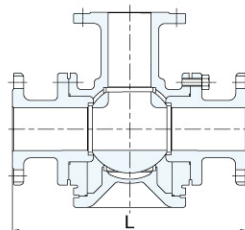
Specification

- Body Material : SCS13, SCS14, SCS16
- Pressure Raeting : JIS10K, 20K, ANSI-150#, 300#
- Fluid applied : Water, Air, Gas, Oil



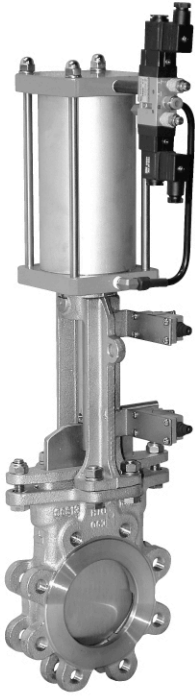
Motor Specifications

- Power voltages : DC24V/110/220/380/440V
- Manual override
- Torque switches
- Indication switches
- Rotation angle : 90
- Space heater



3-WAY BALL VALVE
(T, L PORT)

PNEUMATIC KNIFE GATE VALVES. Model:DJKG-2



Dimension

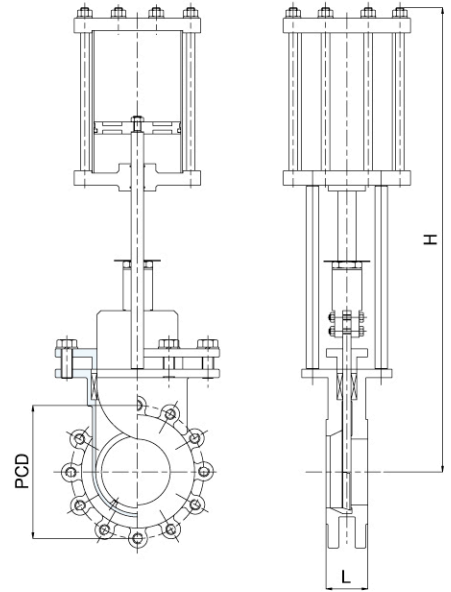
Unit:mm

Nominal SIZE (inches)	L	H	PCD	Weight
50A 2"	48	520	JIS-5K JIS-10K JIS-20K ANSI-150	35
65A 2 1/2"	51	550		40
80A 3"	51	580		50
100A 4"	51	675		65
125A 5"	57	770		70
150A 6"	57	830		86
200A 8"	70	980		97
250A 10"	70	1170		107
300A 12"	76	1340		116
350A 14"	76	1460		135
400A 16"	89	1600	148	
450A 18"	89	1900	161	
500A 20"	114	2200	182	

- APPLICABLE FLANGE : JIS5K, JIS10K, JIS20K, ANSI-150
- MATERIAL
BODY : SCPH2, SCS13, SCS14
DISC : STS304, STS316
SEAT : Metal, PTFE,NBR

Accessory

- E/p,P/P Positioner
- Limit switches
- Solenode valve
- Speed control
- Air unit

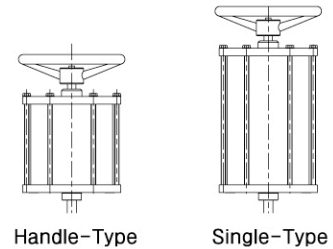
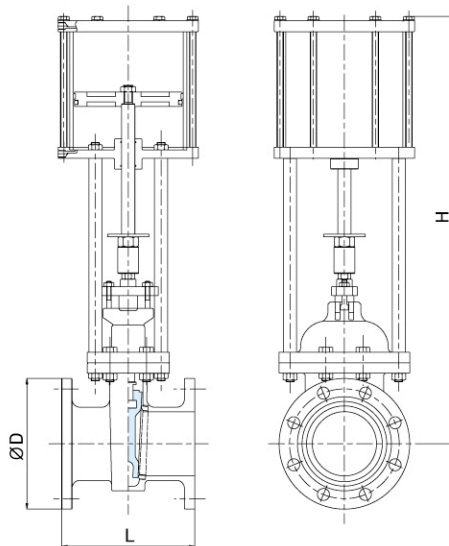


Specification

With the very sharp disc tip, it is used to viscosity material to the fluid including solid body.

- Design Press^o : 0.1 ~ 24 kgf/cm
- Design Temp^o : -20 ~ 280 °c
- Face to Face : Mss-SP-81
- Test & Inspection : Mss-SP-81
- Application Fluid : Water, Pulp, Cement, Slurry, Dirty Water etc

PNEUMATIC GATE VALVES. Model:DJGT-2



- APPLICABLE FLANGE: JIS10K, JIS20K, ANSI-150,300
- MATERIAL
BODY : SCPH2, SCS13, SCS14
DISC : STS304, STS316
SEAT : Metal

Accessory

- E/p,P/P Positioner
- Limit switches
- Solenode valve
- Speed control
- Air unit

Dimension

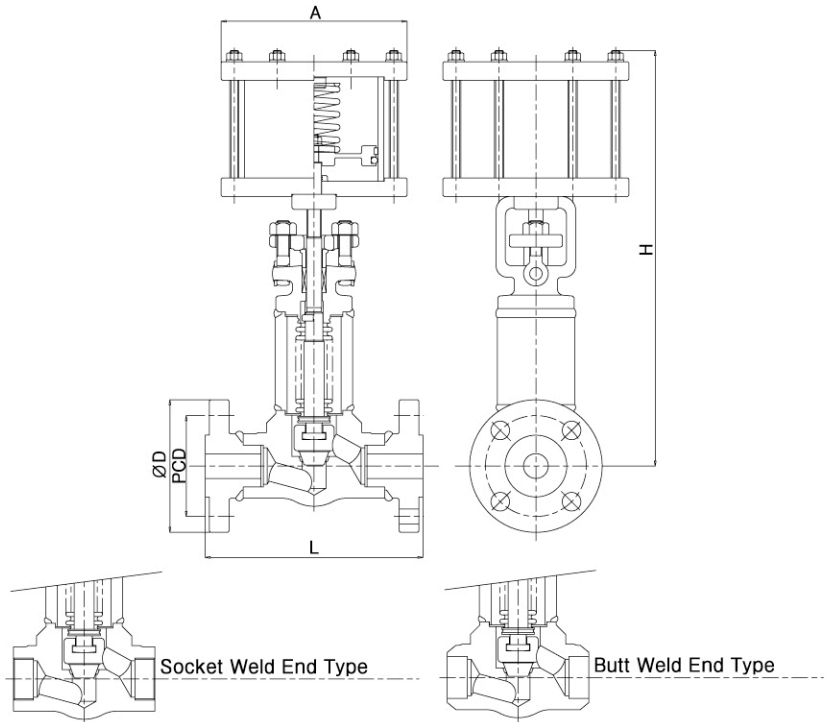
Unit:mm

Nominal SIZE (inches)	L	H	D	Weight
50A 2"	178	520	155	38
65A 2 1/2"	190	550	175	44
80A 3"	203	580	185	56
100A 4"	229	675	210	68
125A 5"	254	770	250	78
150A 6"	267	830	280	96
200A 8"	292	980	330	110
250A 10"	330	1170	400	120
300A 12"	356	1340	445	132
350A 14"	381	1460	490	148
400A 16"	406	1600	560	165
450A 18"	432	1900	620	187
500A 20"	457	2200	675	215

Specification

It is typical valve to regulate fluid's It minimize the damage of seat or disc and regulate flux minutely. So, it is popularity used for quick or EQ%. It is short range to move disc, faster operating time than another valves, and suitable use in high temperature and high pressure.

PNEUMATIC CYLINDER FORGED STEEL VALVES. Model:DJFGC-105



Dimension

Unit:mm

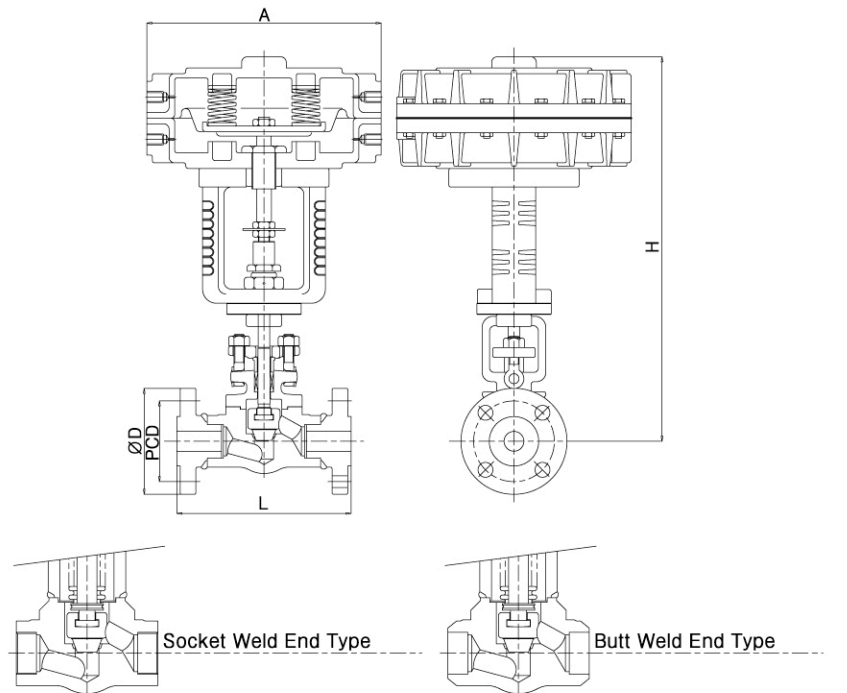
Size	Part	L	PCD	D	A	H
15A	1/2"	108	60,5	90	100	250
20A	3/4"	117	70	100	100	250
25A	1"	127	79,5	110	100	250
32A	1 1/4"	140	89	120	125	285
40A	1 1/2"	165	98,5	130	125	300
50A	2"	178	120,5	150	125	340

- APPLICABLE FLANGE:
JIS10K, JIS20K
ANSI-150#, 300#, 800#, 1500#
- MATERIAL
BODY : A-105, 304, 304L, 316, 316L
DISC : STS304, STS316
SEAT : 304, 316, 410

Specification

Reduced or Full Port Bolt Bonnet Outside Screw & Yock Socket Welding, Threaded or Flange Ends API Standard 602.

PNEUMATIC DIAPHRAGM FORGED STEEL VALVES. Model:DJFGD-105



Dimension

Unit:mm

Size	Part	L	PCD	D	A	H
15A	1/2"	108	60,5	90	260	250
20A	3/4"	117	70	100		250
25A	1"	127	79,5	110		250
32A	1 1/4"	140	89	120		285
40A	1 1/2"	165	98,5	130		300
50A	2"	178	120,5	150		340

- APPLICABLE FLANGE:
JIS10K, JIS20K
ANSI-150#, 300#, 800#, 1500#
- MATERIAL
BODY : A-105, 304, 304L, 316, 316L
DISC : STS304, STS316
SEAT : 304, 316, 410

Specification

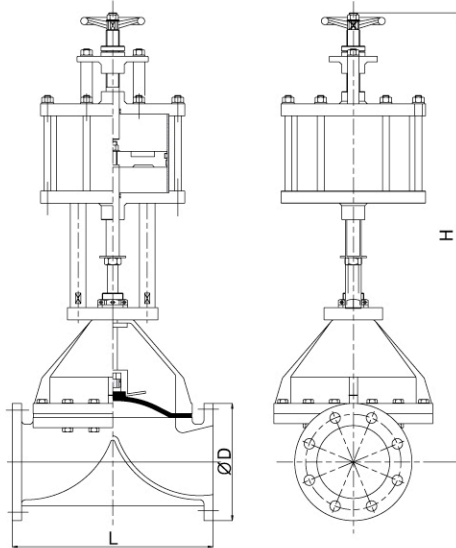
Reduced or Full Port Bolt Bonnet Outside Screw & Yock Socket Welding, Threaded or Flange Ends API Standard 602.

PLASTIC VALVES

PNEUMATIC PVC DIAPHRAGM CONTROL VALVES.



Model NO : DJPD-300



- MATERIAL
PP*EPDM PP*PTFE C-PVC*EPDM PVDF*PTFE
- Working Pressure : 5 ~7 kgf
- Test Pressure : 7 ~10 kgf

Accessory

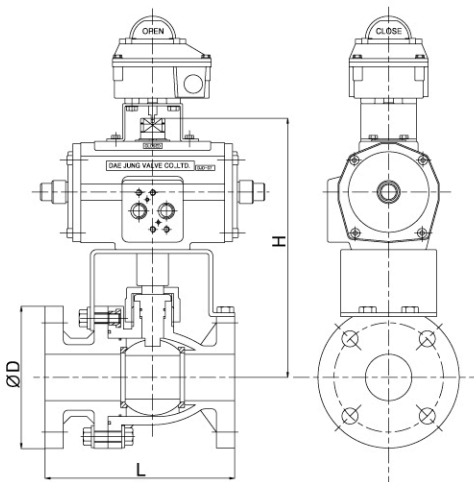
- E/p,P/P Positioner
- Limit switches
- Solenode valve
- Speed control
- Air unit

Dimension

Unit:mm

Size	Part	L	D	H
15A		110	95	280
20A		120	100	300
25A		130	125	380
40A		180	140	480
50A		210	155	500
65A		250	175	570
80A		280	185	630
100A		340	210	690
125A		410	250	760
150A		480	280	850
200A		570	330	1020

PNEUMATIC 2,3-WAY PVC BALL CONTROL VALVES.



1.Flange and 2.Screw and 3.Union-Type

- MATERIAL
PVC,C-PVC PP,PVDF
- Working Pressure : 5 ~7 kgf
- Test Pressure : 7 ~10 kgf
- APPLICABLE FLANGE : JIS10K, ANSI-150#

Dimension

Unit:mm

Size	Part	L	D	H
15A		145	95	190
20A		150	100	190
25A		170	125	195
32A		175	135	250
40A		190	140	270
50A		210	155	325
65A		260	175	370
80A		265	185	410
100A		300	210	470
125A		360	250	540
150A		360	280	620

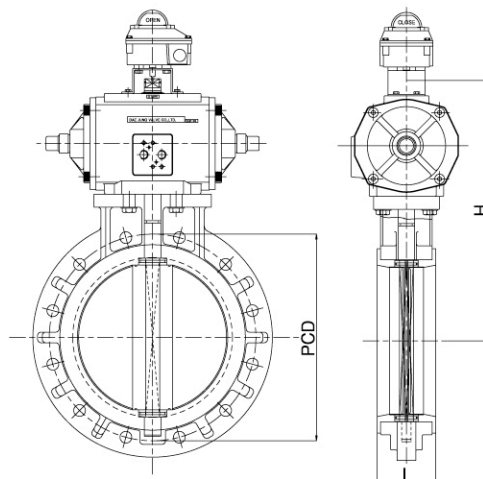


Model NO : DJRP-200

PNEUMATIC PVC BUTTERFLY CONTROL VALVES.



Model NO : DJPB-400



- MATERIAL
PVC, C-PVC PP,PVDF
- Working Pressure : 5 ~7 kgf
- Test Pressure : 7 ~10 kgf
- APPLICABLE FLANGE : JIS10K, ANSI-150#

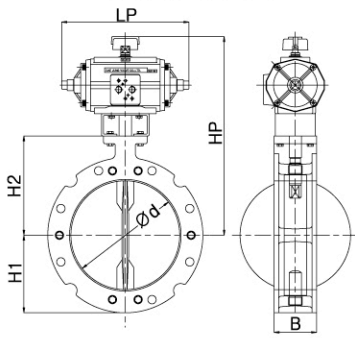
Dimension

Unit:mm

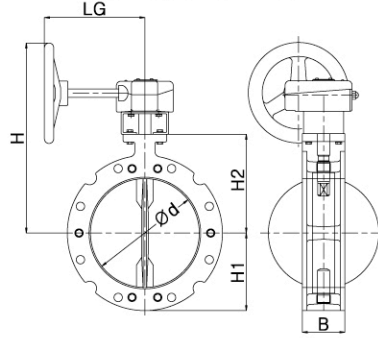
Size	Part	L	D	H
50A		42	120	195
65A		47	140	210
80A		47	150	240
100A		56	175	265
125A		66	210	285
150A		73	240	340
200A		94	290	380
250A		110	355	430
300A		130	400	470
350A		134	445	530
400A		174	570	580

CEMENT DAMPER VALVES.

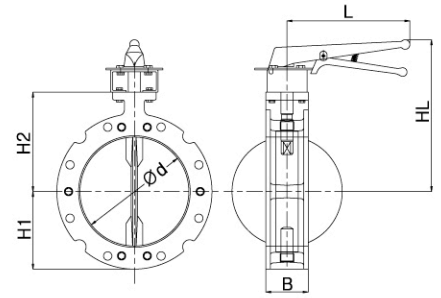
PNEUMATIC



WORM-GEAR



LOCK-LEVER



- MATERIAL
BODY : ADC12
DISC : ADC12
SEAT : EPDM

Accessory

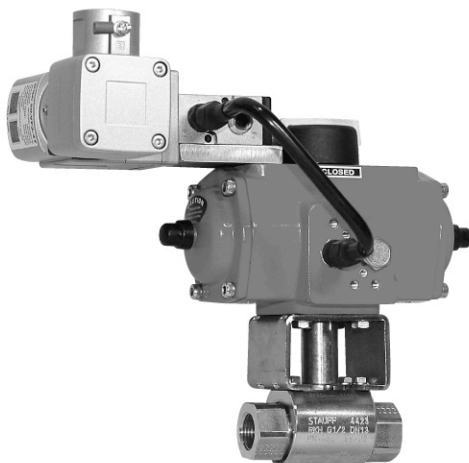
- E/p,P/P Positioner
- Limit switches
- Solenoid valve
- Speed control
- Air unit

Dimension

Unit:mm

Size	Part	H1	H2	d	HP	LP	HG	LG	LH	L
150A	6"	120	150	149	334	200	340	120	260	220
200A	8"	140	180	198	380	230	370		290	
250A	10"	165	200	244	420	230	390		320	
300A	12"	190	230	296	465	300	430		340	
350A	14"	230	270	345	600	340	550		390	

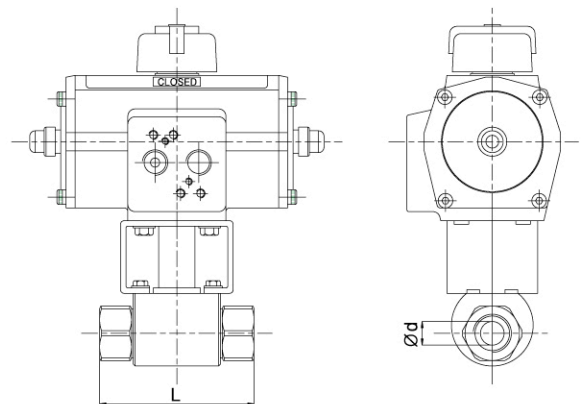
PNEUMATIC HIGH-PRESSURE VALVES



- MATERIAL
BODY : A-105,304,316
BALL : STS304, STS316
SEAT : PEEK
- Max Pressure : 240 kgf/cm
- SIZE : 10A~200A

Accessory

- E/p,P/P Positioner
- Limit switches
- Solenoid valve
- Speed control
- Air unit



Model No : DJPR-2

Specification

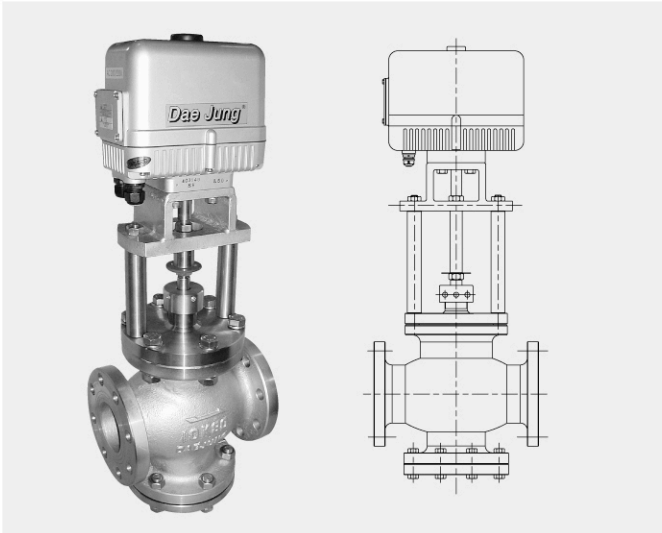
- Fluid applied : Water, Air, Gas, Oil
- Temperature applied : Under 140°C
- Ambient temperature : -10 — 80°C
- Accessory : Sol, Limit, Air-Set, Speed Control

Dimension

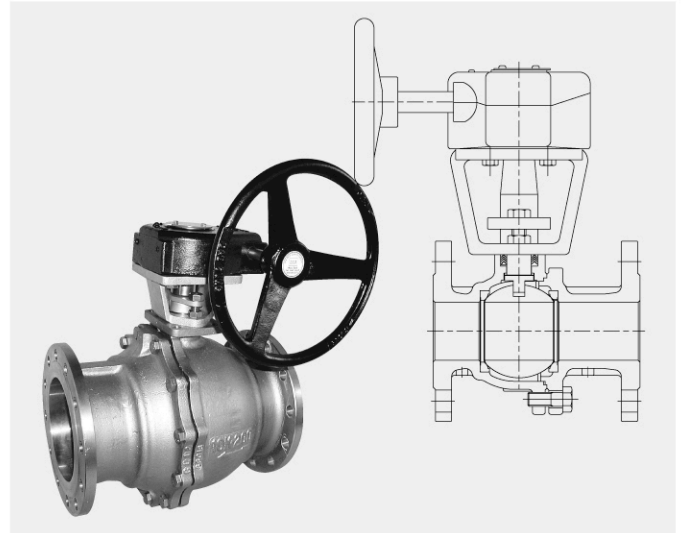
Unit:mm

Part	Size	10A	15A	20A	25A	32A	40A	50A	65A	80A	100A	125A	150A
L		44	48	62	66	82	87	102	162	184	228	350	388
d		10	15	20	24	32	38	48	63	78	96	121	145

□ Special Valves □



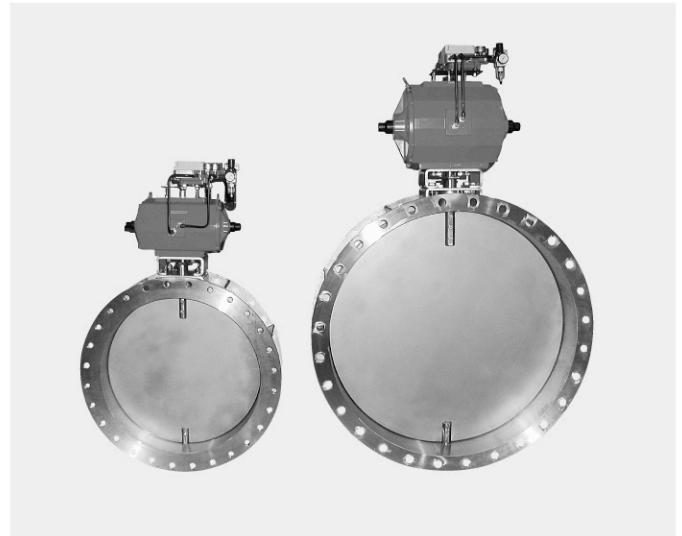
Electric Globe Valves
(On-Off, Modulating)



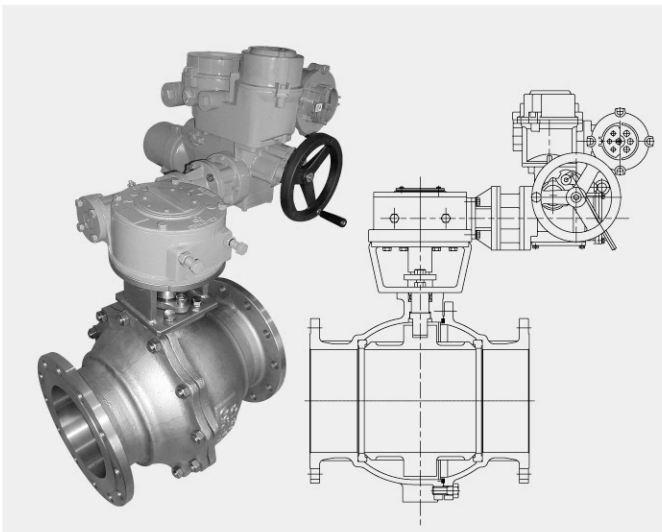
Manual Worm Gear Ball Valves



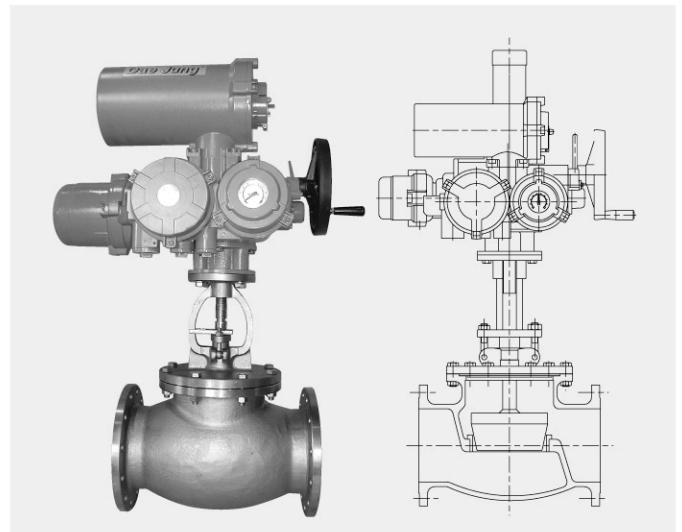
3-WAY BUTTERFLY VALVE
(Pneumatic, Electric)



DAMPER VALVES
(Pneumatic, Electric)

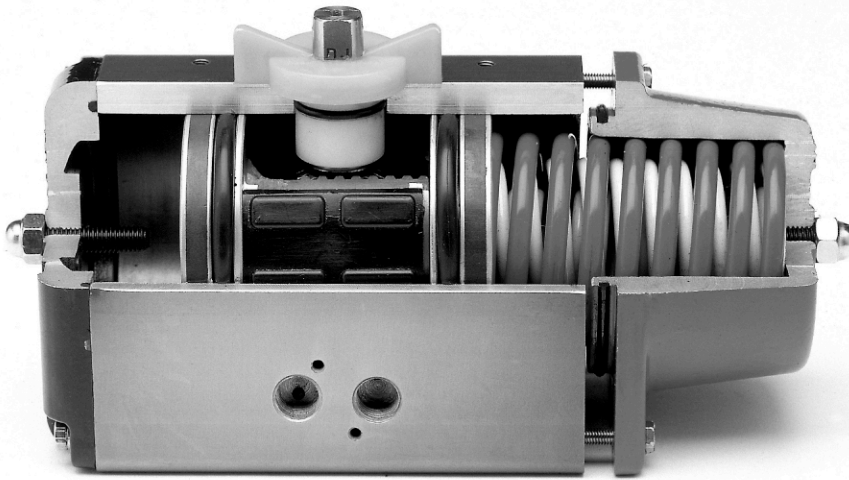


Electric Ball Valves
(On-Off, Modulating)



Electric Globe Valves
(On-Off, Modulating)

PNEUMATIC DOUBLE & SINGLE ACTION ACTUATOR SECTION



CHARACTERISTIC

DAE JUNG rotary actuator has long life by anodized hard facing for improve life and anti weariness. Slide board which is made special plastic is possible to produce high torque and reduce friction power.

Accessory

- E/P,P/P Positioner
- Limit switches
- Silencer
- Solenode valve
- Speed control
- Air unit
- Custom Assemblies
- Special Bracket,Socket



*DOUBLE ACTION

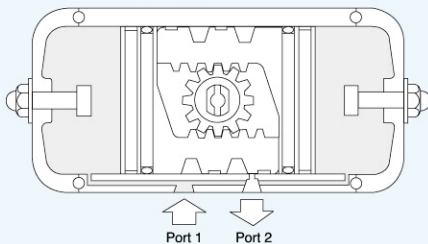


*SINGLE ACTION

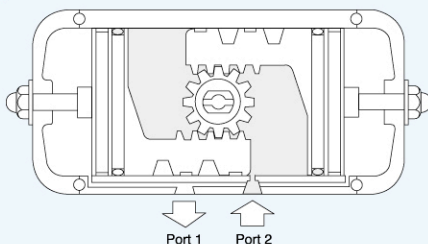
OPERATION

DOUBLE ACTING

Applying air pressure to port2 drives the pistons outward, which turns the pinion counterclockwise as the air volume on the outside of the pistons exhausts through port 1.

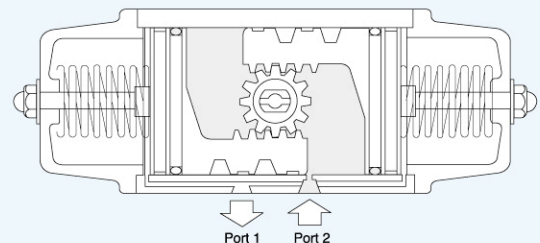


Applying air pressure to port1 drives the pistons inward which turns the pinion clockwise as the air volume on the inside of the pistons exhausts through port 2.

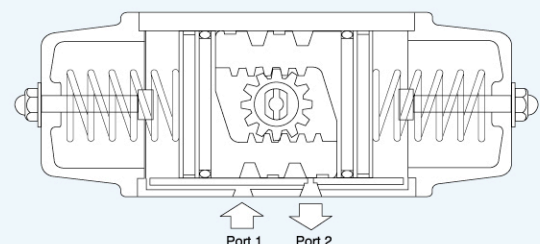


SINGLE ACTING

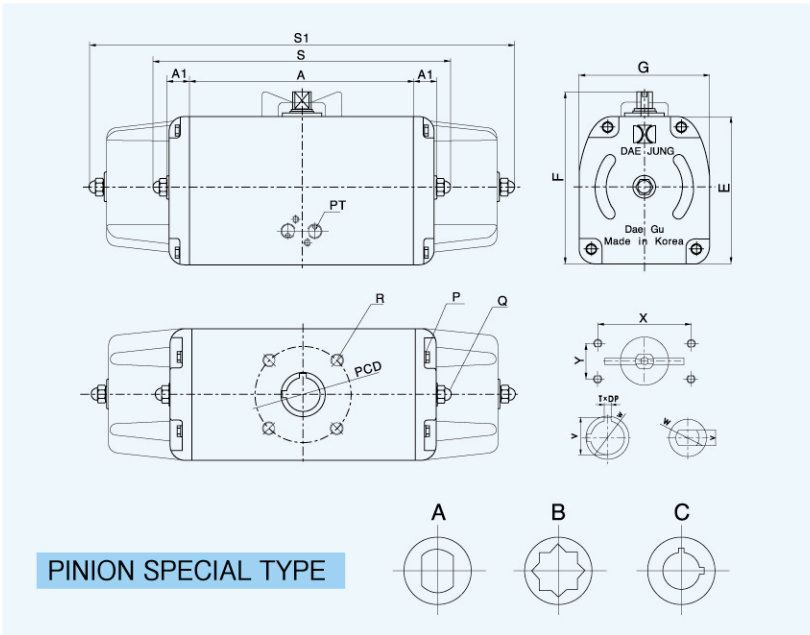
Applying air pressure to port2 drives the pistons outward, which compresses the spring and turns the pinion counterclockwise as the air volume on the outside of the pistons exhausts through port 1.



Exhausting the air pressure from port 2 allows stored energy of the springs to drive pistons inward, turning the pinion clockwise. Air volume on outside of pistons vents through port 1.



PNEUMATIC ROTARY TYPE ACTUATOR DIMENSION



Double Action Torque data unit:kgf.m

Model	Torque
DJA-1(55D)	2.5kgf.m
DJA-2(75D)	5.3kgf.m
DJA-3(100D)	15.5kgf.m
DJA-4(120D)	25kgf.m
DJA-5(150D)	50kgf.m
DJA-6(180D)	97kgf.m
DJA-7(210D)	175kgf.m

Calculation Foundation

1. Torque value is set on the basis of Air Supply 5kgf/cm.
2. Disregard O-ring friction.

Dimension

Unit:mm

SIZE	MODEL	DJA 1	DJA 2	DJA 3	DJA 4	DJA 5	DJA 6	DJA 7
A		124	145	192	212	260	375	490
A1		14	16	19	23	28	31	17
S		177	202	254	292	350	457	572
S1		230	285	364	442	546	670	820
G		66	85	112	136	170	205	244
E		74	101	126	147	189	227	258
F		91	121	147	166	220	258	296
W		∅ 14	∅ 17	∅ 20	∅ 23	∅ 29.5	∅ 40.2	∅ 45.3
I		11	12	13	16	32	44	49.5
T×DP					6×55		12×70	14×70
PCD		50×42	82		82, 125	125	125, 165	165
PT		1/8		1/4		3/8		
P		M5		M6	M8	M10		
Q		CAP M8		CAP M10		CAP M12	CAP M16	
R		M8		M10		M12	M20	
X		30			80			50
Y		30			80			50

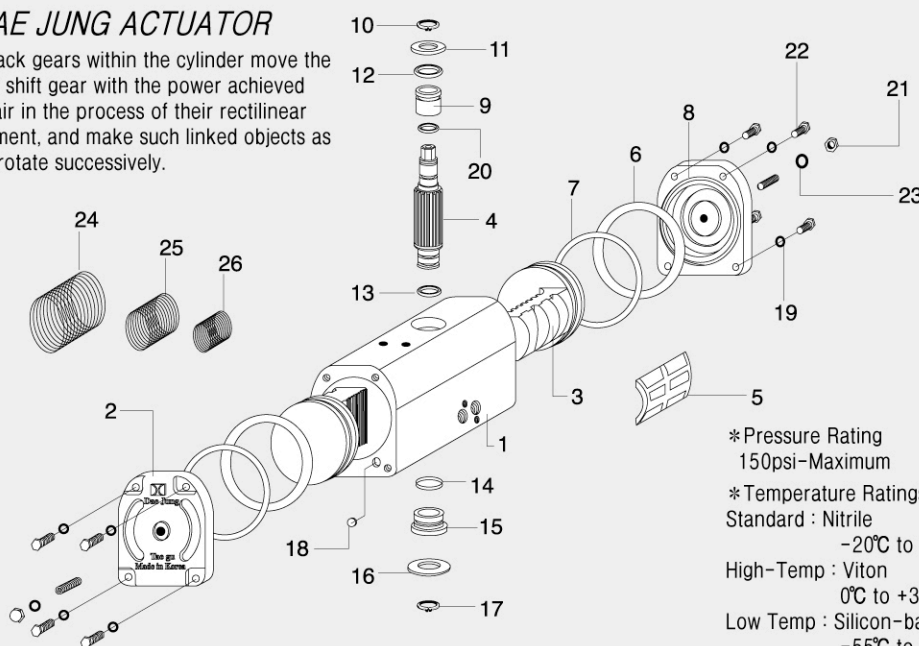
Specification

- Type : Rack & Pinion
- Action : *Double Action (D/A)
(Air to Open, Close)
*Single Action (S/A)
(Air to Open or Close)
- Air Supply : D/A - 4~8 kgf/cm
S/A - 5~8 kgf/cm
- Turn Angle : (D/A, S/A) 0 ~ 100
- Ambient Temp : -10 ~ 80°C

DOUBLE ACTING & SPRING RETURN

DAE JUNG ACTUATOR

Two rack gears within the cylinder move the pinion shift gear with the power achieved from air in the process of their rectilinear movement, and make such linked objects as valve rotate successively.



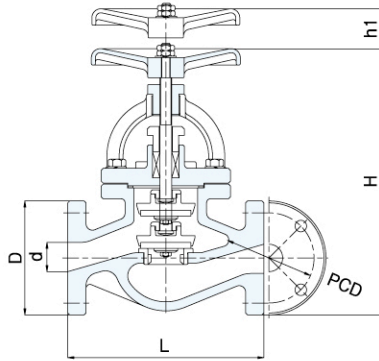
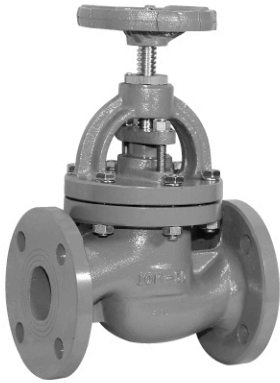
PART NAME AND MATERIALS

No	Name
1	Body
2	Cover
3	Rack gear
4	Pinion gear
5	Slide plate
6	Teflon ring
7	R.O-Ring
8	C.O-Ring
9	Bush
10	Snapring
11	Wash
12	B.O-Ring
13	P.O-Ring
14	B.O-Ring
15	Bush
16	Wash
17	Snapring
18	Air packing
19	Spring wash
20	P.O-Ring
21	Cap nut
22	Hex bolt
23	O-Ring
24	Spring-1
25	Spring-2
26	Spring-3

- * Pressure Rating
150psi-Maximum
- * Temperature Ratings
Standard : Nitrile
-20°C to +80°C
High-Temp : Viton
0°C to +300°C
Low Temp : Silicon-based
-55°C to +175°C

DAE JUNG VALVES

GLOBE VALVES. Model:DJ-101



Specification

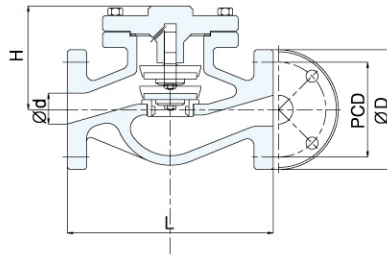
- Fluid applied : Water, Steam, Air
- Pressure : 10kgf/cm
- Temperature : Blow200℃
- Material : Body-FC20
Waist-STSS304
Disc-Teflon
- Size : 25A(1")-80A(3")

Dimension

Unit:mm

SIZE	d	D	L	PCD	H1	H	Weight
1 3/4" 32A	32	135	190	100	100	100	10,5
1 1/2" 40A	40	140	190	105	105	105	10,5
2" 50A	50	155	190,205	120	120	120	12
2 1/2" 65A	65	175	210,220	140	140	140	15
3" 80A	80	185	255	150	150	150	19

CHECK VALVES. Model:DJ-102



Specification

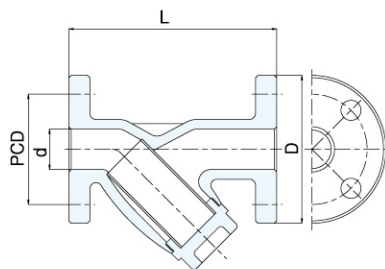
- Fluid applied : Water, Steam, Air
- Pressure : 10kgf/cm
- Temperature : Blow200℃
- Material : Body-FC20
Waist-STSS304
Disc-Teflon
- Size : 20A(3/4")-80A(3")
- Operating : Lift-type

Dimension

Unit:mm

SIZE	d	D	L	PCD	H	Weight
1 3/4" 32A	32	135	190	100	100	10,5
1 1/2" 40A	40	140	190	105	105	10,5
2" 50A	50	155	205	120	120	12
2 1/2" 65A	65	175	220	140	140	15
3" 80A	80	185	255	150	150	19

STRAINERS. Model No:DJ103



Specification

- Fluid applied : Water, Steam, Air
- Pressure : 10kgf/cm
- Temperature : Blow200℃
- Material : Body-FC20
Waist-STSS304
- Size : 20A(3/4")-80A(3")

Dimension

Unit:mm

SIZE	d	D	PCD	L	Weight
3/4" 20A	20	100	75	160	3
1" 25A	25	125	90	160	4
1 3/4" 32A	32	135	100	185	5,5
1 1/2" 40A	40	140	105	185	6
2" 50A	50	155	120	205	6,5
2 1/2" 65A	65	174	140	220	8,5

Operating Notes

- The direction shown in the produce should be insealed according to the direction of fluid flow.
- The allien substance in the piping should be removed in the test working.
- The main air line and solenode should be checked in case that the opening and shutting of automatic valve doesn't work.
- The product should not be giver much impulse.

Daejung control valves models-1

Model No	Valves Type	Model No	Valves Type
Pneumatic Diaphragm Valves (GOLD-5000-Series)		Pneumatic Double Action Actuator (A1-DJA-Series)	
Pneumatic Cylinder Valves (DJH-3001-Series)		Pneumatic Single Action Actuator (A1-DJASR-Series)	
Pneumatic Diaphragm Valves (DJD-111-Series)		Pneumatic Ball Valves (SCREW-TYPE) (DJR-2-(S)-Series)	
Pneumatic Y-Globe Valves (DJSS-Series)		Pneumatic Ball Valves (SCREW-TYPE) (DJSR-2-(S)-Series)	
Pneumatic Drain Valves (DJDW-1-Series)		Pneumatic 3-Way Ball Valves (SCREW-TYPE) (DJR-3-(S)-Series)	
Pneumatic 3-Way Valves (DJH-212-Series)		Electric Ball Valves (SCREW-TYPE) (DJER-2-(S)-Series)	
Pneumatic SCS Diaphragm Valves (DJD-113-Series)		Pneumatic Cylinder Knife Gate Valves (DJKG-2-Series)	
Pneumatic Control Diaphragm Valves (DJD-117-Series)		Pneumatic Cylinder Gate Valves (DJGT-2-Series)	
Pneumatic Ball Valves (DJR-2-Series)		Pneumatic Forged Diaphragm Valves (DJFGD-105-Series)	
Electric Ball Valves (DJER-2-Series)		Pneumatic Forged Cylinder Valves (DJFGC-105-Series)	
Pneumatic 3-Way Ball Valves (DJR-3-Series)		Pneumatic Double Action Actuator (A2-DJD-Series)	
Electric 3-Way Valves (DJER-3-Series)		Pneumatic Single Action Actuator (A2-DJS-Series)	

Daejung control valves models-2

Model No	Valves Type	Model No	Valves Type
H.P-Butterfly Valves (Wafer-Lever) (3-SE630BL-Series)		Pneumatic High-Pressure Valves (DJPR-2-Series)	
H.P-Butterfly Valves (Lug-Lever) (3-SE930BL-Series)		Pneumatic Plastic Diaphragm Valves (DJPD-300-Series)	
H.P-Butterfly Valves (Wafer-Gear) (3-SE630BG-Series)		Pneumatic Plastic Ball Valves (DJRP-200-Series)	
H.P-Butterfly Valves (Lug-Gear) (3-SE930BG-Series)		Pneumatic Plastic Butterfly Valves (DJPB-400-Series)	
Pneumatic H.P-Butterfly Valves (Wafer-Type) (3-SE630BA-Series)		Pneumatic Cement Valves	
Pneumatic Single H.P-Butterfly Valves (Lug-Type) (3-SE930-SBA-Series)		Manual Gear Cement Valves	
Pneumatic Single H.P-Butterfly Valves (Lug-Type) (3-SE930BE-Series)		Manual Lever Cement Valves	
AL-Manual Butterfly Valves. (Lever-Type) (3-SE710-L-Series)		Manual Globe Valves (DJ-101)	
AL-Manual Butterfly Valves. (Gear-Type) (3-SE710-G-Series)		Lift Check Valves (DJ-102)	
AL-Pneumatic Butterfly Valves. (Pneumatic-Type) (3-SE710-P-Series)		Strainer (DJ-103)	

HOW TO ORDER

CODE SELECTION GUIDE

DAE JUNG VALVE

VALVE MODEL NO

RATING

SIZE

ACCESSORY

ENCLOSURE

1. JIS-10K
2. JIS-20K
3. ANSI-150
4. ANSI-300
5. DIN-16BAR
6. DIN-25BAR
7. Other

- 10A
- 15A
- 20A
- 25A
- .
- .
- .
- 1000A

0. None
1. Solenoid Valve AC220V
2. Solenoid Valve AC110V
3. Solenoid Valve DC24V
4. Limit S/W
5. Air Set (Fil" & Reg)
6. E/P-Positioner
7. P/P-Positioner
8. Manual Handwheel

- W. Water Proof
- EX. Explosion Proof

3-MAX

MAX-SEAL
(VALVES)

MAX-TORQUE
(ACTUATORS)

MAX-QUALITY
(SYSTEM)



DJV 3MAX **DAEJUNG VALVE CO., LTD.**

79, Hosandong-ro, Dalseo-gu, Daegu,
42712 South Korea
TEL : +82-53-584-2276~8
FAX : +82-53-584-2279
E-mail : djvalves@djvalves.com
Website : www.djvalves.com

DJV 3MAX **주식회사 대정밸브**

대구광역시 달서구 호산동로 79 (우. 42712)
(대구광역시 달서구 호산동 706-6)
TEL : (053) 584-2276~8
FAX : (053) 584-2279
E-mail : djvalves@djvalves.com
Website : www.djvalves.com