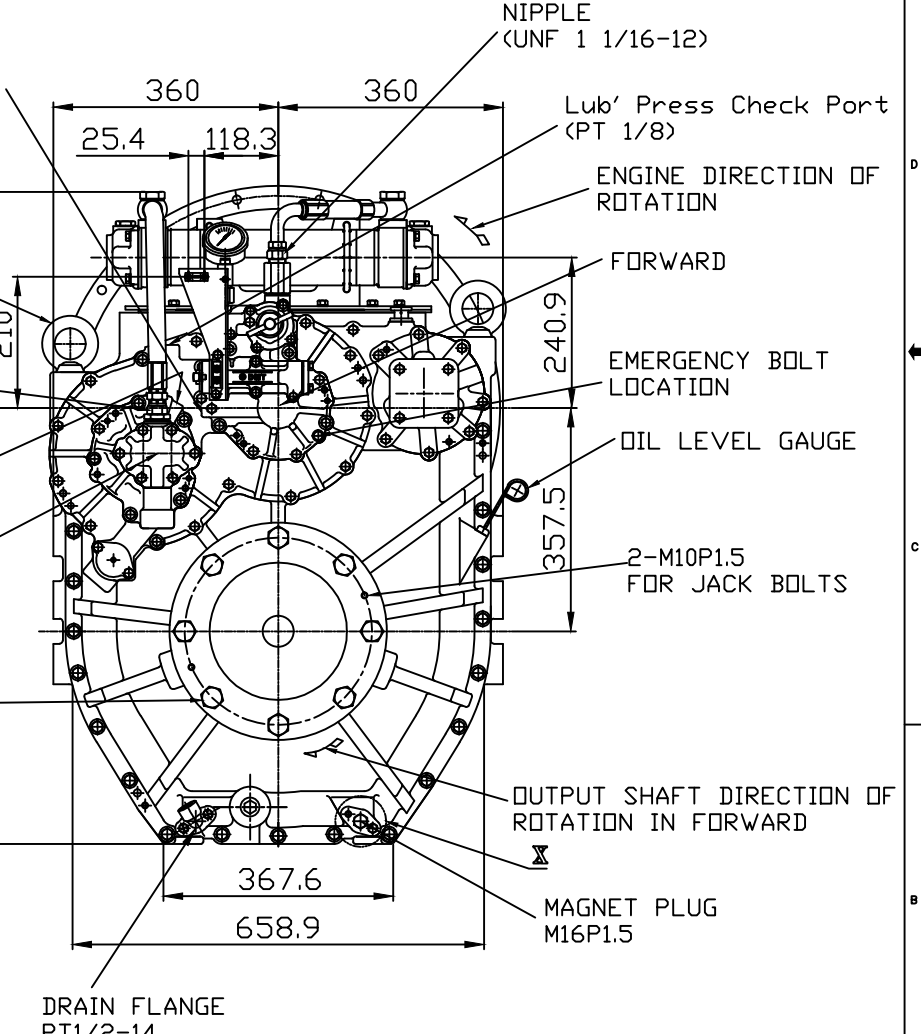
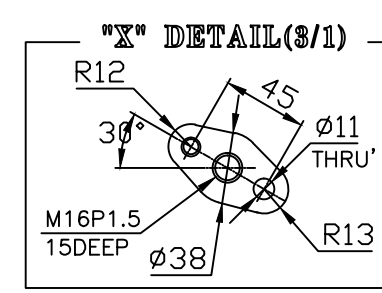
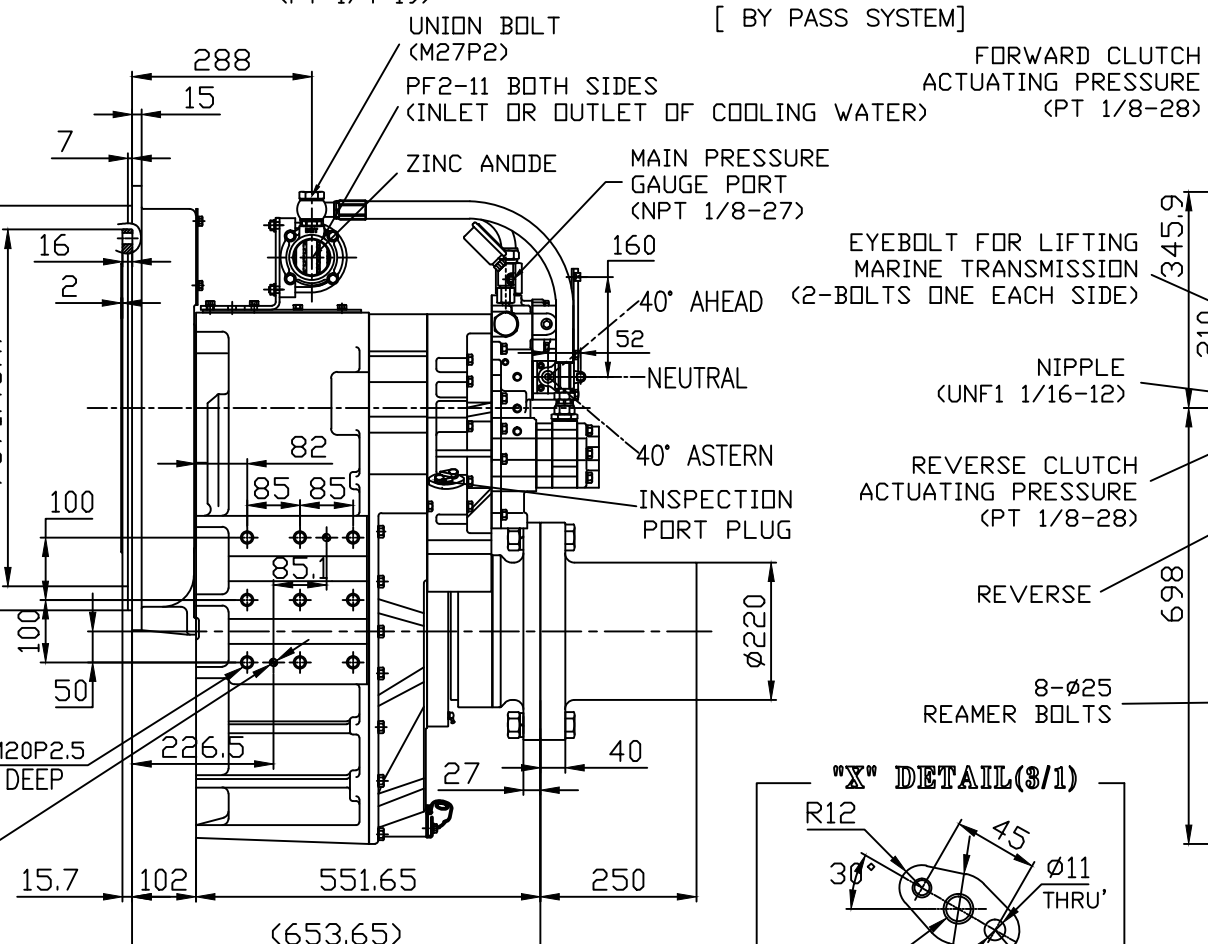
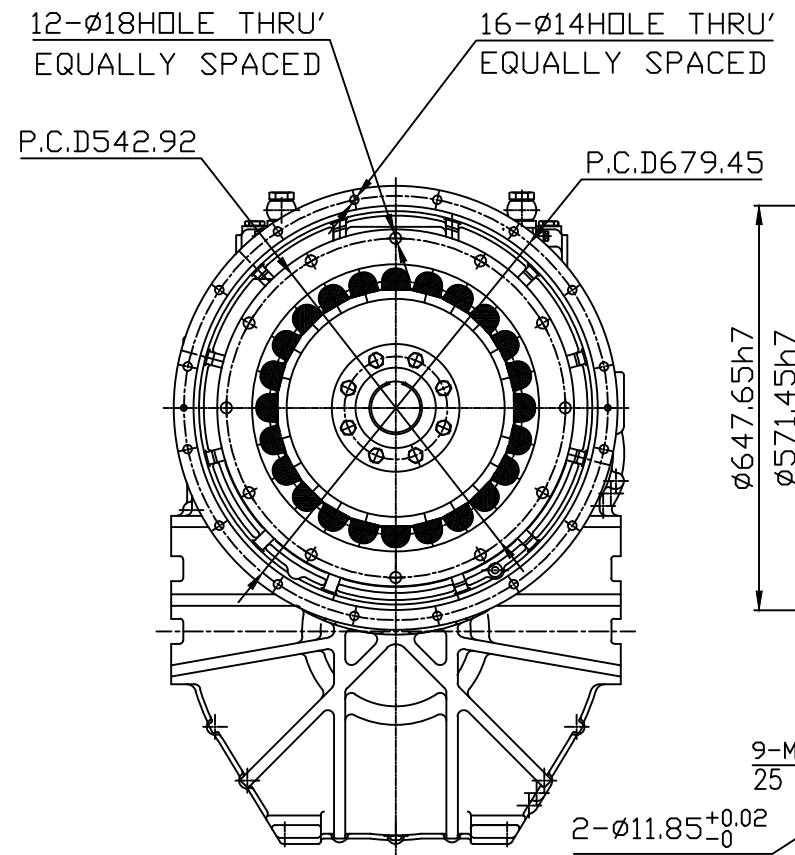
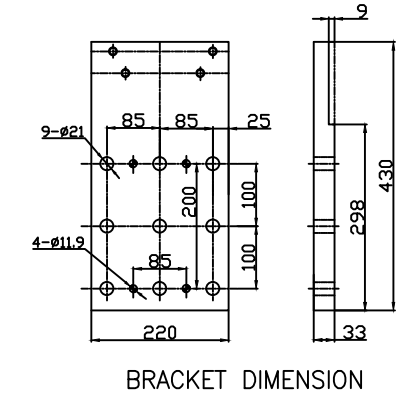


DMT550HL MARINE TRANSMISSION SPECIFICATION	
GEAR RATIO	3.02, 3.28, 3.56, 4.07, 4.48, 4.95
TOTAL WEIGHT	APPROX. 1080 Kg(DRY)
OIL CAPACITY	APPROX. 16 L
OIL VISCOSITY	SAE # 30
OIL PRESSURE	1.96 ~ 2.54 MPa CLUTCH OIL
DIRECTION OF ROTATION IN FORWARD	INPUT C.C.W VIEWED FROM THE STERN OUTPUT C.W VIEWED FROM THE STERN
OIL CHANGE INTERVAL	THE FIRST 100HOURS OF INITIAL OPERATION AND EVERY 1000HOURS THEREAFTER
SHIFTING LIMIT	UNDER 50% OF THE RATED ENGINE SPEED
OIL COOLER	WATER FLOW 90 ~ 120 L/m TEMPERATURE OF COOLING WATER MAX 32°C
OPERATING TORQUE OF SHIFTING LEVER	UNDER 2.94Nm



REMARK
 1.HOUSING : SAE#0
 2.DRIVING RING : SAE 18"
 3.COULING TYPE : RUBBER



공통공차 TOLERANCE ON				번호 NO.	품 PART NO.	품 PART NAME	개수 Q'TY	재 MATERIAL	규 SIZE	비 REMARKS
분수 FRACTIONS	소수 DECIMALS	각도 ANGLES	±	±	±	±	±	±	±	±
1/10	0.1	1'	±	±	±	±	±	±	±	±
1/20	0.05	30'	±	±	±	±	±	±	±	±
1/50	0.02	15'	±	±	±	±	±	±	±	±
1/100	0.01	10'	±	±	±	±	±	±	±	±

작성 DATE 2012.05.10	척도 SCALE N/S	명 식 TYPE DMT550HL	원 도 번 ORIGINAL DWG. NO.
승 인 APPROVED BY JK.Kim	검 토 CHECKED BY KS.Han	제 도 DRAWN KC.Yoon	실 계 DESIGNED
품 명 NAME MARINE TRANSMISSION		도 번 DWG. NO. 55000GHA~F-018RC	
크 기 SIZE A 3		코 드 번 호 CODE ID. NO.	