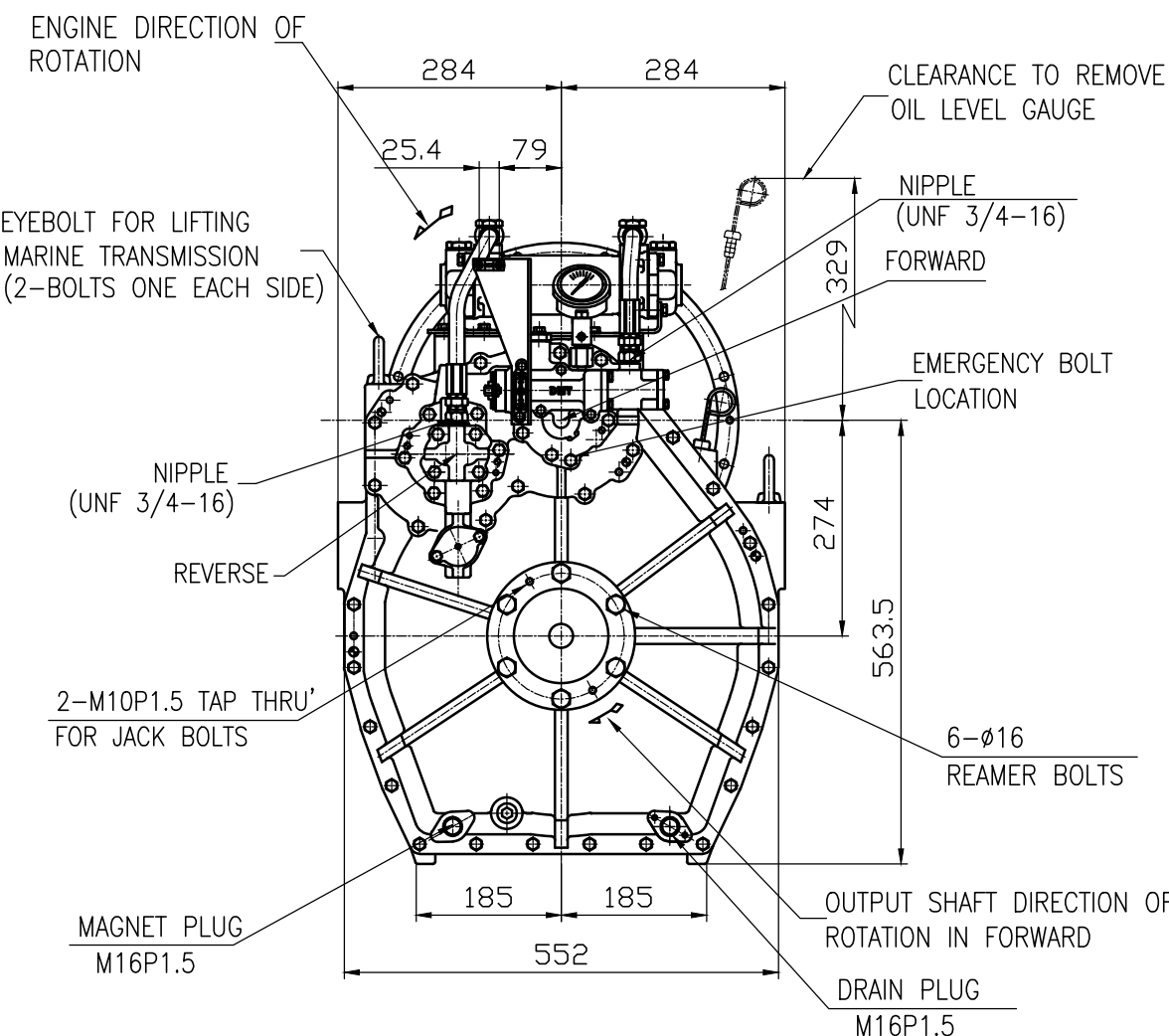
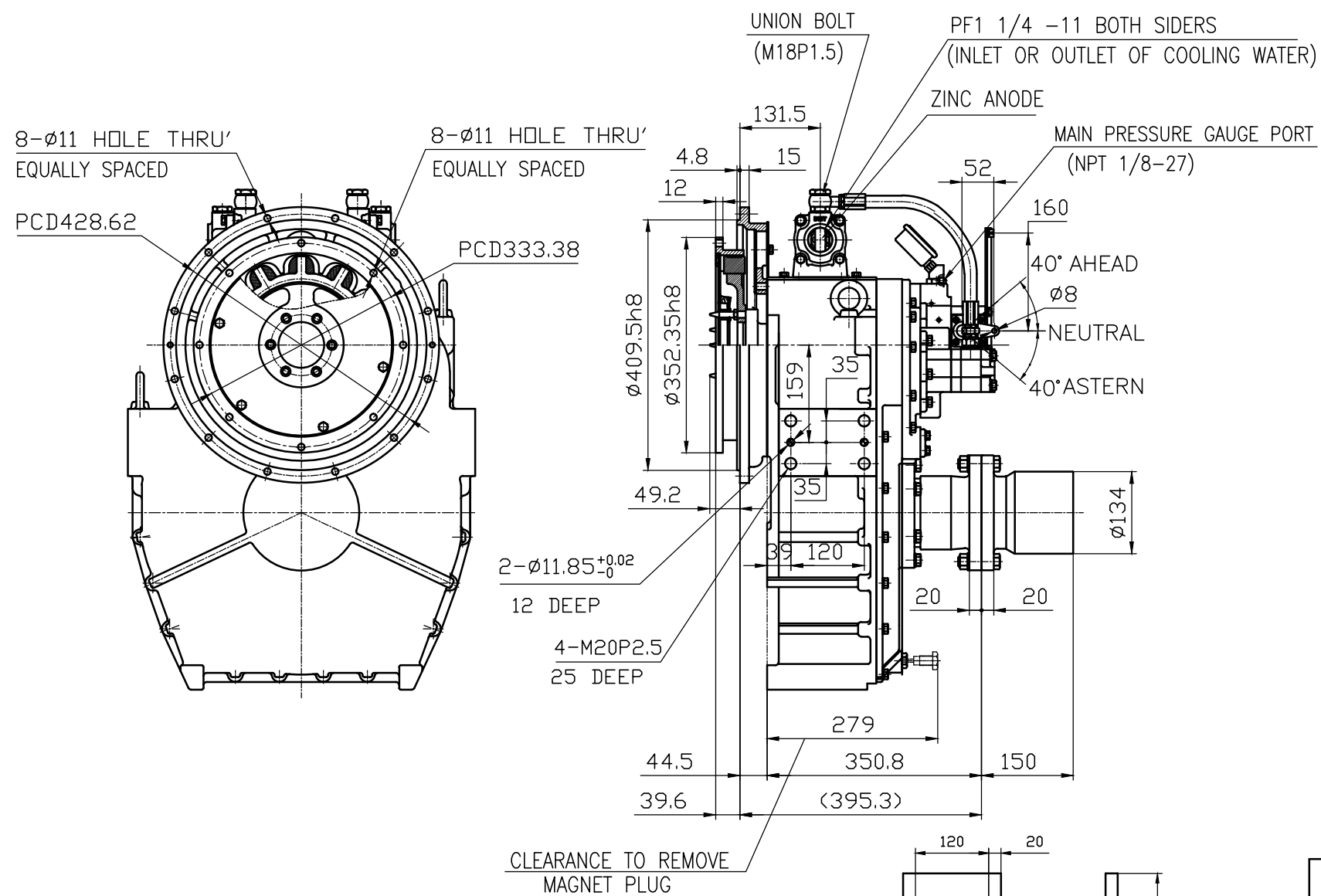


OUTPUT SHAFT COUPLING &
 PROPELLER COUPLING DIMENSION

INPUT COUPLING
 DIMENSION

DMT 100HL MARINE TRANSMISSION SPECIFICATION		
GEAR RATIO	5.29, 5.95, 4.07, 4.50, 4.95	
TOTAL WEIGHT	APPROX. 263 kg(DRY)	
OIL CAPACITY	APPROX. 9.5L	
OIL VISCOSITY	SAE # 30	
OIL PRESSURE	1.96 ~ 2.35 MPa	CLUTCH OIL
DIRECTION OF ROTATION	INPUT	C.C.W VIEWED FROM THE STERN
	OUTPUT	C.W VIEWED FROM THE STERN
OIL CHANGE INTERVAL	THE FIRST 100HOURS OF INITIAL OPERATION AND EVERY 1000HOURS THEREAFTER	
SHIFTING LIMIT	UNDER 50% OF THE RATED ENGINE SPEED	
OIL COOLER	WATER FLOW 40 ~ 60L/min	TEMPERATURE OF COOLING WATER MAX 32°C
OPERATING TORQUE OF SHIFTING LEVER	UNDER 2.94Nm	



- REMARK
 1.HOUSING: SAE#3
 2.DRIVING RING: SAE 11.5"
 3.COULING TYPE : DUAL STAGE

BRACKET DIMENSION

공통공차 TOLERANCE ON				번호 NO.	품 PART NO.	명 PART NAME	개수 QTY	재 MATERIAL	규 SIZE	비 REMARKS
분수 FRACTIONS	소수 DECIMALS	각도 ANGLES	공차 TOLERANCE	재 MATERIAL	DATE	SCALE	TYPE	DMT100HL	원도번호 ORIGINAL DWG. NO.	
±	±	±	±	JK.Kim	2012.06.18	N/S	MARINE TRANSMISSION			
1/2	0.1	±0.5	±0.1	APPROVED BY	CHECKED BY	DRAWN	DESIGNED			
4	16	±0.5	±0.2	JK.Kim	KS.Han	KC.Yoon		1000GHA~E-3115DC	개정(REV.) 000	
16	63	±0.7	±0.3	D-I INDUSTRIAL						
63	250	±1.2	±0.5	크기 SIZE A 3 코드번호 CODE ID. NO.						
250	1000	±2.0	±0.8							