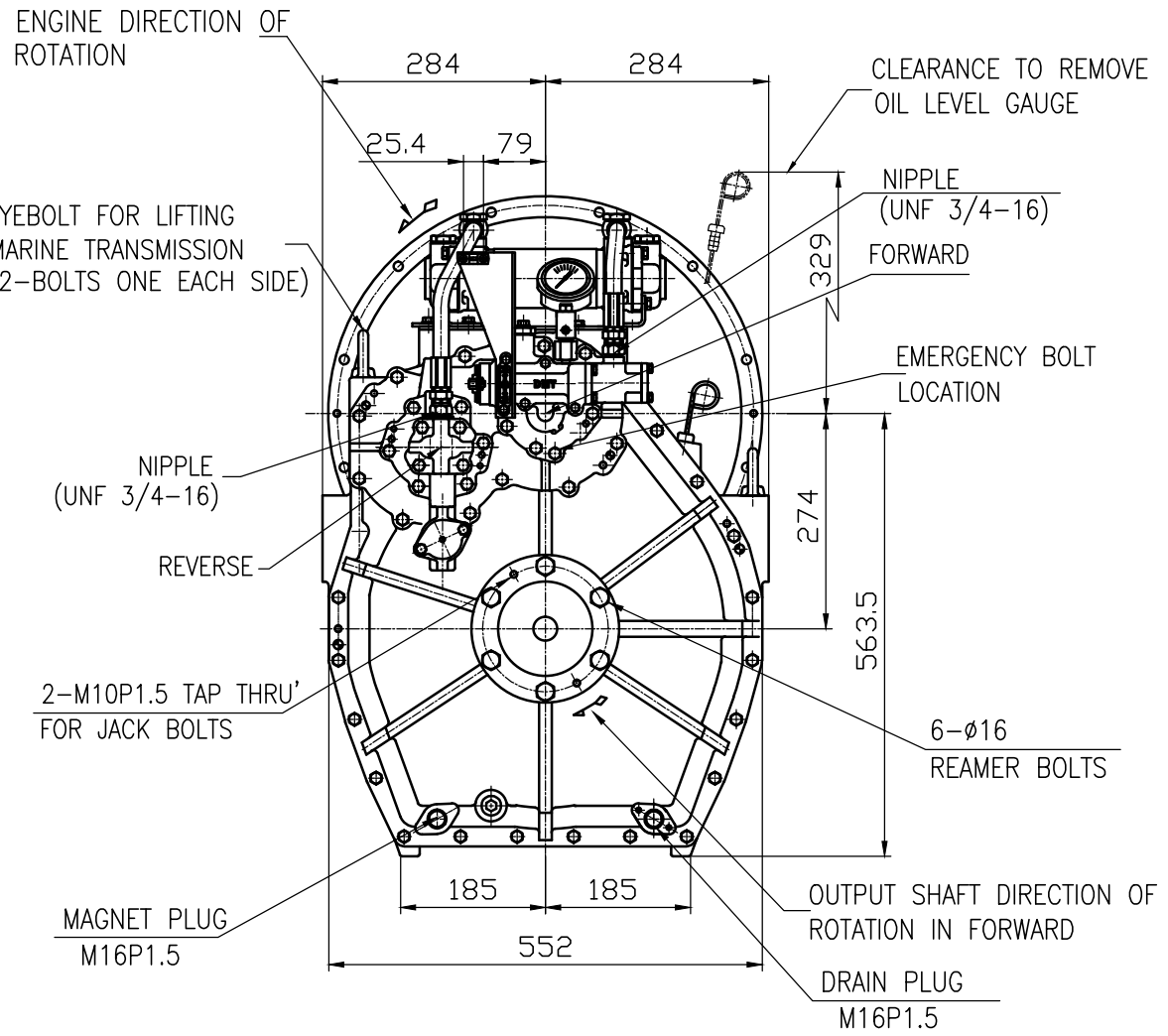
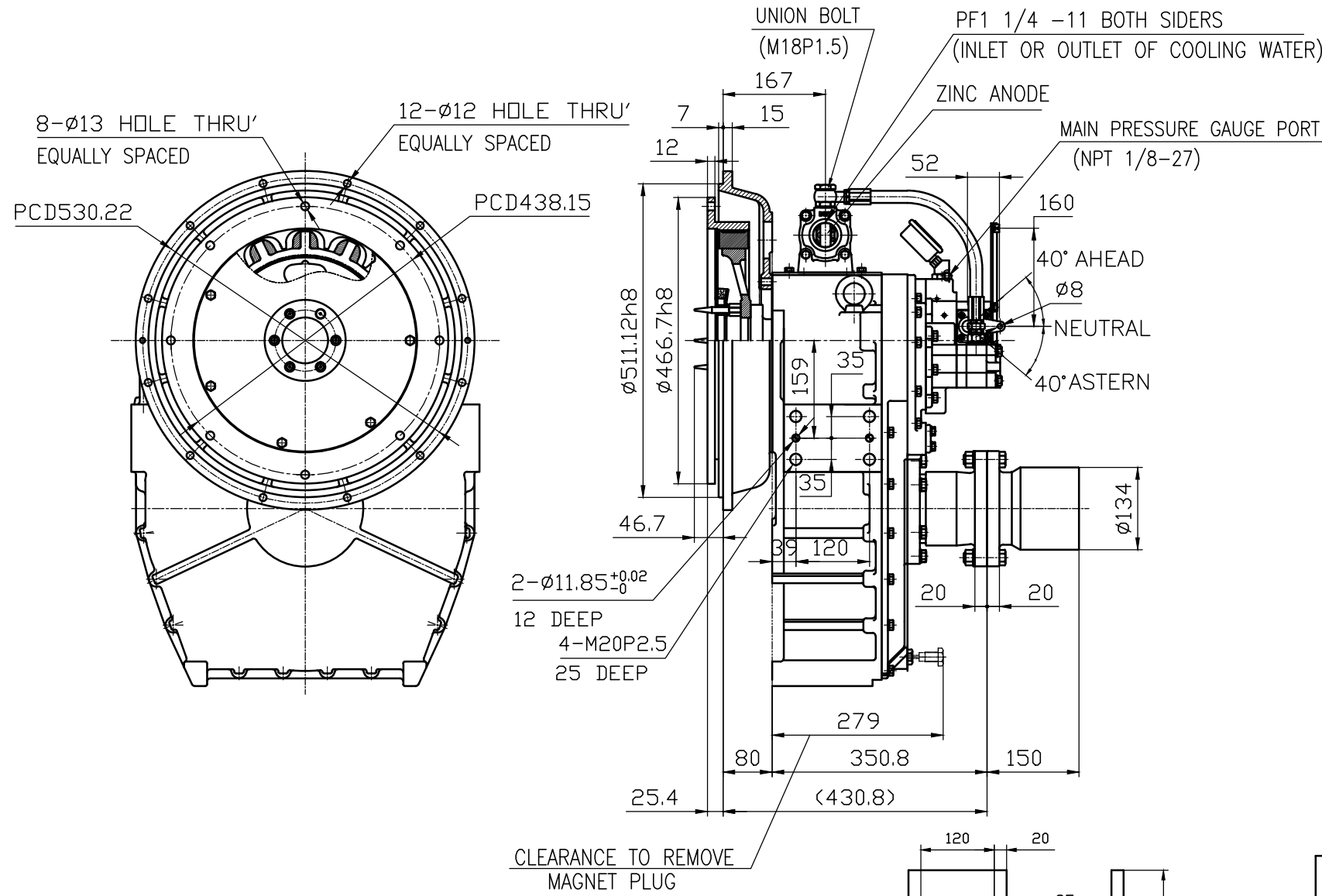


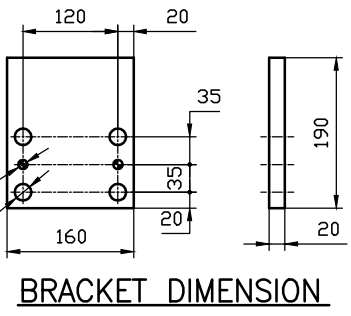
OUTPUT SHAFT COUPLING & PROPELLER COUPLING DIMENSION

INPUT COUPLING DIMENSION

DMT 100HL MARINE TRANSMISSION SPECIFICATION		
GEAR RATIO	5.29, 5.95, 4.07, 4.50, 4.95	
TOTAL WEIGHT	APPROX. 263 kg(DRY)	
OIL CAPACITY	APPROX. 9.5L	
OIL VISCOSITY	SAE # 30	
OIL PRESSURE	1.96 ~ 2.35 MPa	CLUTCH OIL
DIRECTION OF ROTATION	INPUT	C.C.W VIEWED FROM THE STERN
	OUTPUT	C.W VIEWED FROM THE STERN
OIL CHANGE INTERVAL	THE FIRST 100HOURS OF INITIAL OPERATION AND EVERY 1000HOURS THEREAFTER	
SHIFTING LIMIT	UNDER 50% OF THE RATED ENGINE SPEED	
OIL COOLER	WATER FLOW 40 ~ 60L/min	
	TEMPERATURE OF COOLING WATER	MAX 32°C
OPERATING TORQUE OF SHIFTING LEVER	UNDER 2.94Nm	



REMARK  
 1.HOUSING: SAE#1  
 2.DRIVING RING: SAE 14"  
 3.COULING TYPE : DUAL STAGE



公差表 TOLERANCE ON		번호 NO.	품 PART NO.	명 PART NAME	개수 QTY	재 MATERIAL	규 SIZE	비 REMARKS
분수 FRACTIONS	소수 DECIMALS	각도 ANGLES	MATERIAL		명 TYPE	DMT100HL ORIGINAL DWG. NO.		
±	±	±	작성 DATE 2012.06.18	척도 SCALE N/S	명 MARINE TRANSMISSION	계정(REV.) 000		
1/16	0.0625	±0.5	APPROVED BY JK.Kim	CHECKED BY KS.Han	도 DWG. NO. 10000GHA~E-114DC	크기 SIZE A 3	코드 번호 CODE ID. NO.	
1/8	0.125	±0.5	DESIGNED BY KC.Yoon					
3/16	0.1875	±0.5						
1/4	0.25	±0.5						
5/16	0.3125	±0.5						
3/8	0.375	±0.5						
1/2	0.5	±0.5						
5/8	0.625	±0.5						
3/4	0.75	±0.5						
7/8	0.875	±0.5						
1	1.0	±0.5						
1 1/8	1.125	±0.5						
1 1/4	1.25	±0.5						
1 3/8	1.375	±0.5						
1 1/2	1.5	±0.5						
1 5/8	1.625	±0.5						
1 3/4	1.75	±0.5						
1 7/8	1.875	±0.5						
2	2.0	±0.5						
2 1/8	2.125	±0.5						
2 1/4	2.25	±0.5						
2 3/8	2.375	±0.5						
2 1/2	2.5	±0.5						
2 5/8	2.625	±0.5						
2 3/4	2.75	±0.5						
2 7/8	2.875	±0.5						
3	3.0	±0.5						
3 1/8	3.125	±0.5						
3 1/4	3.25	±0.5						
3 3/8	3.375	±0.5						
3 1/2	3.5	±0.5						
3 5/8	3.625	±0.5						
3 3/4	3.75	±0.5						
3 7/8	3.875	±0.5						
4	4.0	±0.5						
4 1/8	4.125	±0.5						
4 1/4	4.25	±0.5						
4 3/8	4.375	±0.5						
4 1/2	4.5	±0.5						
4 5/8	4.625	±0.5						
4 3/4	4.75	±0.5						
4 7/8	4.875	±0.5						
5	5.0	±0.5						