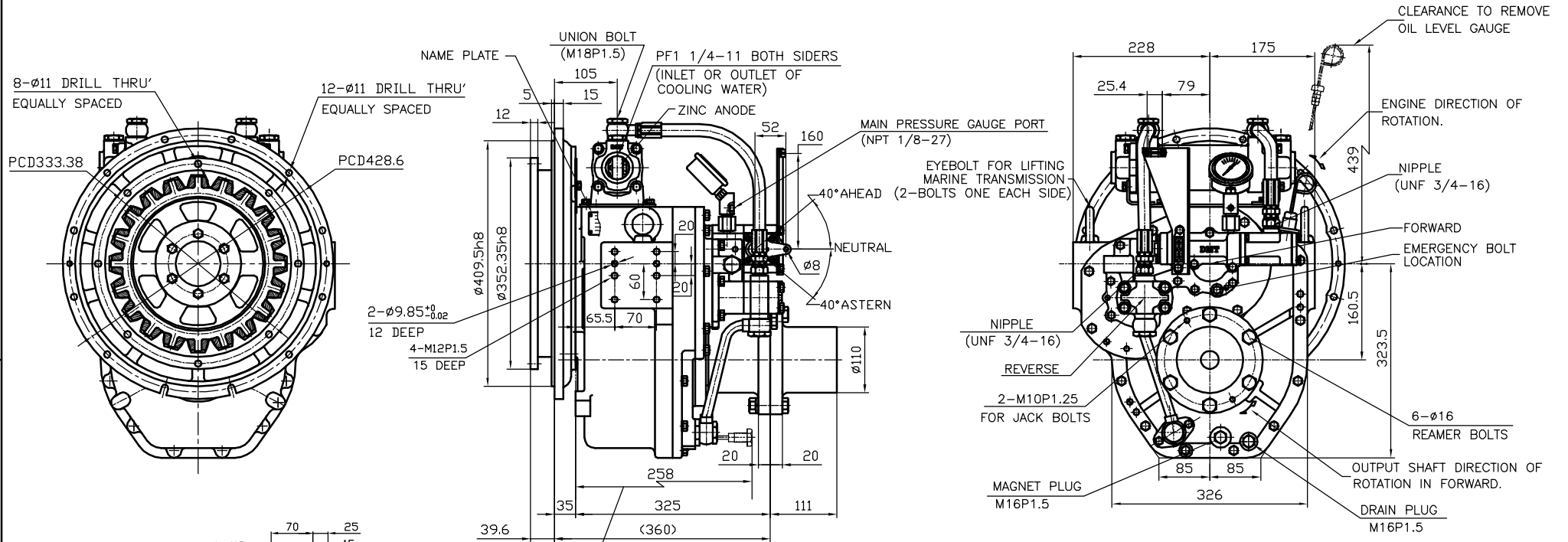


DMT70T MARINE TRANSMISSION SPECIFICATION	
GEAR RATIO	1.61, 2.06, 2.45, 2.82, 3.12, 3.46
TOTAL WEIGHT	APPROX 159 kg(DRY)
OIL CAPACITY	APPROX. 3.5 L
OIL VISCOSITY	SAE # 30
OIL PRESSURE	1.96 ~ 2.35 MPa CLUTCH OIL
DIRECTION OF ROTATION IN FORWARD	INPUT C.C.W VIEWED FROM THE STERN OUTPUT C.W VIEWED FROM THE STERN
OIL CHANGE INTERVAL	THE FIRST 100HOURS OF INITIAL OPERATION AND EVERY 1000HOURS THEREAFTER
SHIFTING LIMIT	UNDER 50% OF THE RATED ENGINE SPEED
OIL COOLER	WATER FLOW 40 ~ 60 L/min TEMPERATURE OF COOLING WATER MAX 32 °C
OPERATING TORQUE OF SHIFTING LEVER	UNDER 2.94Nm



REMARK

- HOUSING: SAE#3
- DRIVING RING: SAE 11.5"
- COULING TYPE : RUBBER

BRACKET DIMENSION

公差表 TOLERANCE ON			PART NO.		PART NAME		数量 QTY	材料 MATERIAL	尺寸 SIZE	備考 REMARKS
分数 FRACTIONS	小数 DECIMALS	角度 ANGLES	NO.	명	명	명	명	명	명	명
±	±	±								
참고 사항			DATE 2012.06.18		SCALE N/S		TYPE DMT70T			
1 초과 4 이하 ±0.3 ±0.1 ±0.05			APPROVED BY JK.Kim		DESIGNED BY KC.Yoon		NAME MARINE TRANSMISSION			
4 16 ±0.5 ±0.2 ±0.07			CHECKED BY KS.Han		DRAWN		DWG. NO. 070000TA~F-3115RC			
16 63 ±0.7 ±0.3 ±0.1			JK.Kim		KS.Han		REV. 000			
63 250 ±1.2 ±0.5 ±0.2			D-I INDUSTRIAL		D-I INDUSTRIAL		SIZE A3			
250 1000 ±2.0 ±0.8 ±0.3			D-I INDUSTRIAL		D-I INDUSTRIAL		CODE ID. NO.			