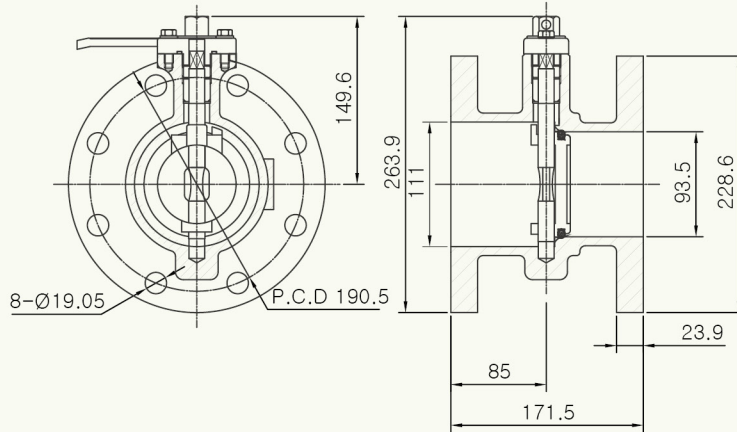
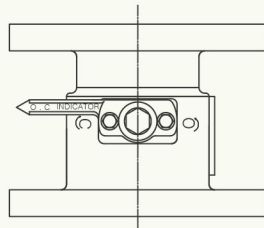
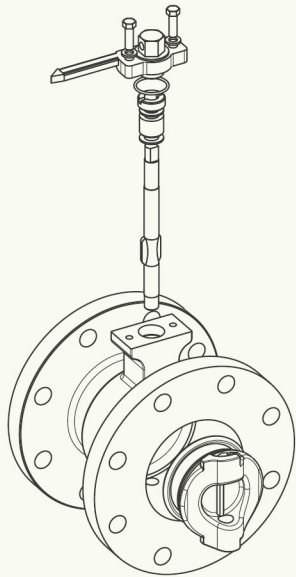
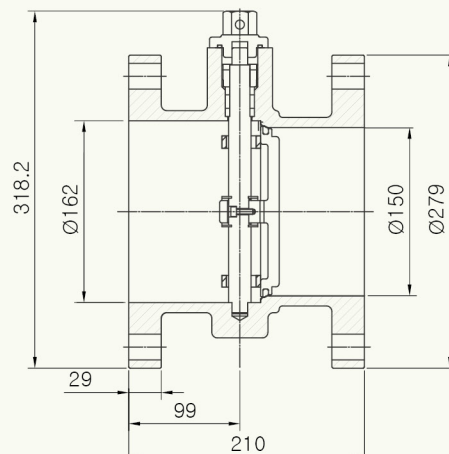
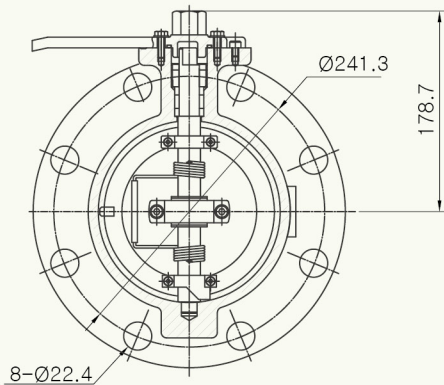
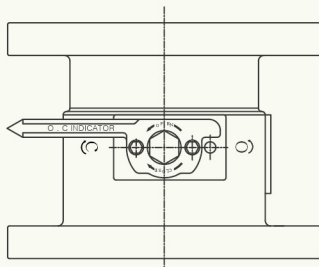


RADIATOR VALVE



- Part No : BK-BF100-Y00(4 inch)
- Type : Double flange type
- ANSI Bolt Circle
- H NBR SEALS



- Part No : BK-BF150-Y00(6 inch)
- Type : Double flange type
- ANSI Bolt Circle
- H NBR SEALS