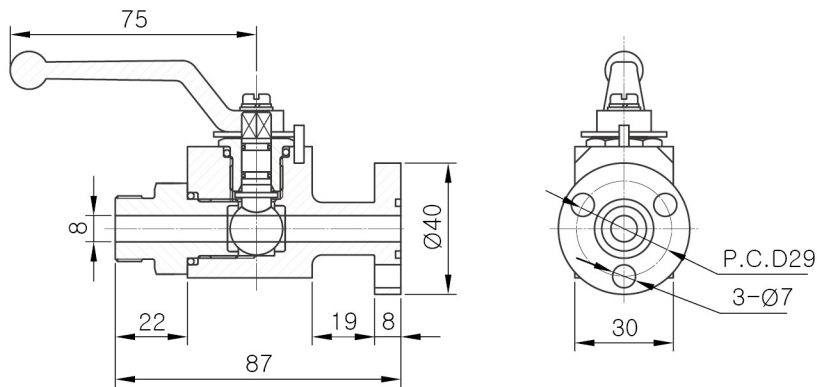
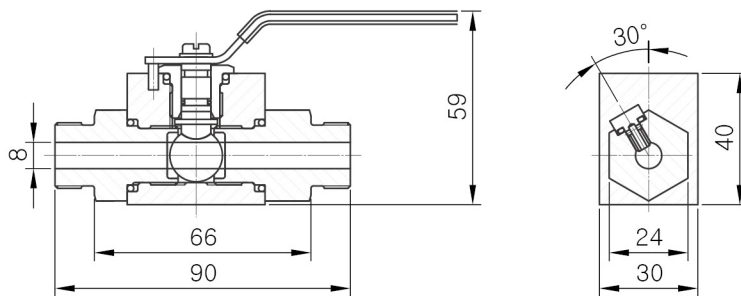


- 1. Fluid : SF₆ Gas
- 2. Working Pressure : 8Kg/Cm²
- 3. Working Temperature : -20°C~60°C

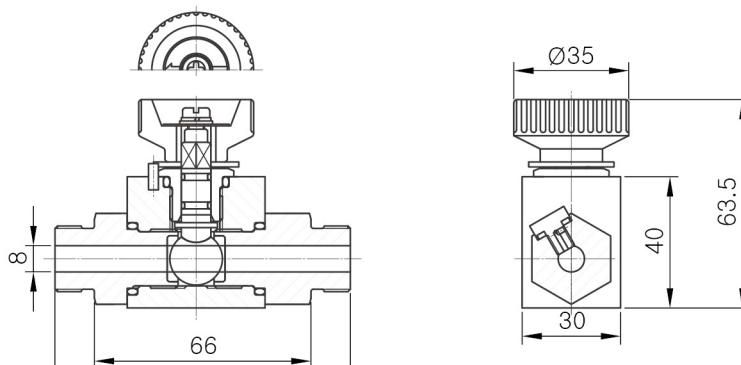
- 4. Leakage Level : -0.1(Vacuum)~10Kg/Cm²
- 5. Leakage Condition : On10~12Kg/Cm²
Below 1x10⁻⁶cc/sec
- 6. Inner Pressure Test : 15Kg/Cm²(Air)



BL08UASI01



BK-BL8A-B00



BK-BL8A-B00