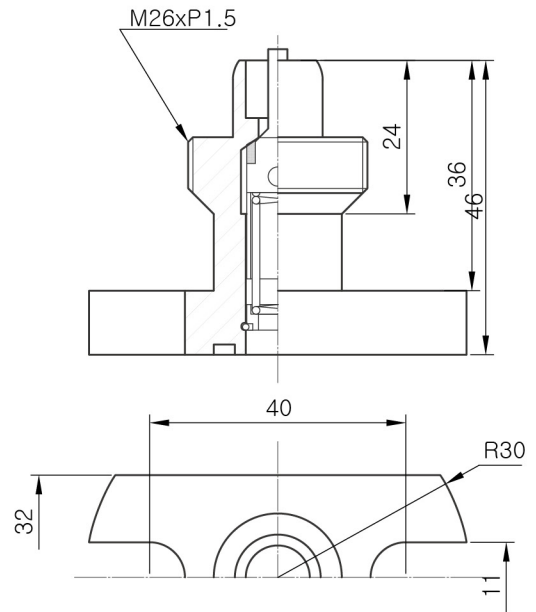
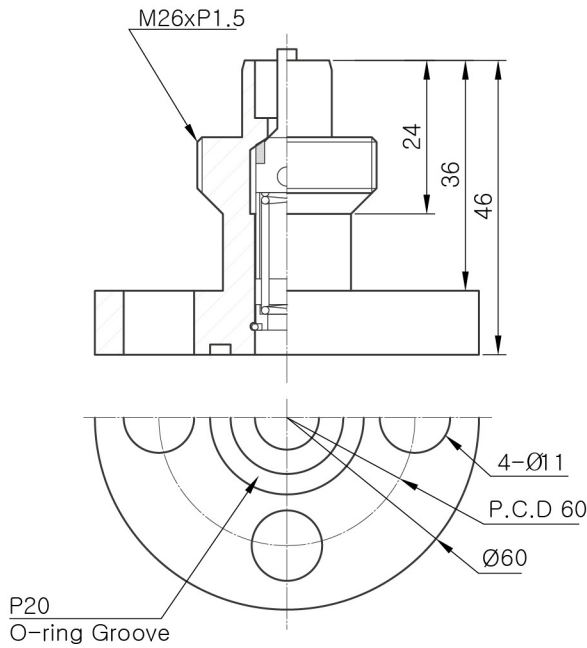
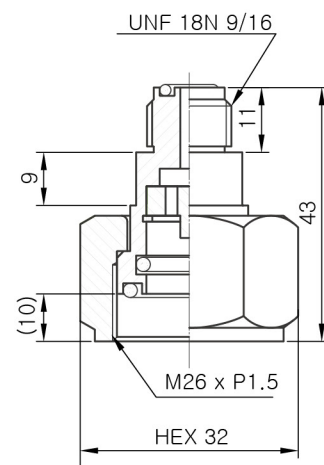
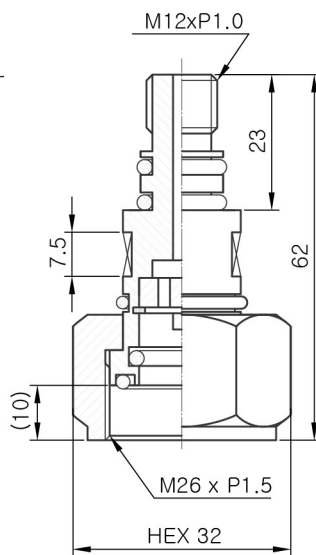
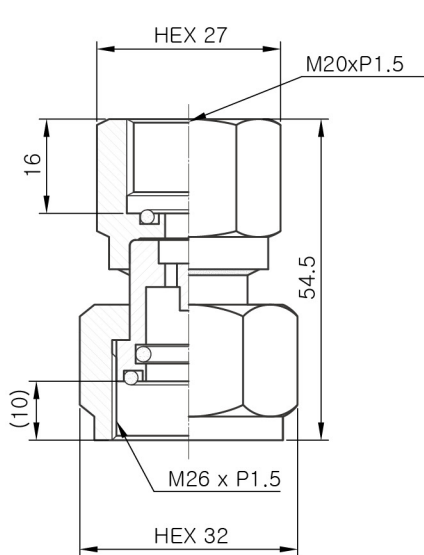


DN8 CONNECTIONS



Part No. : BK-NR8N-A00
Material : Aluminum

Part No. : BK-NR8N-A00[H01]
Material : Aluminum



Part No. : BK-NR8H-A00
Material : Brass
Screw Type : BSP1/2, PF1/2
M20xP1.5
Usage : Connection for gauge

Part No. : BK-AD8-A00
Material : Brass

Part No. : BK-NR07-P00
Material : Stainless steel